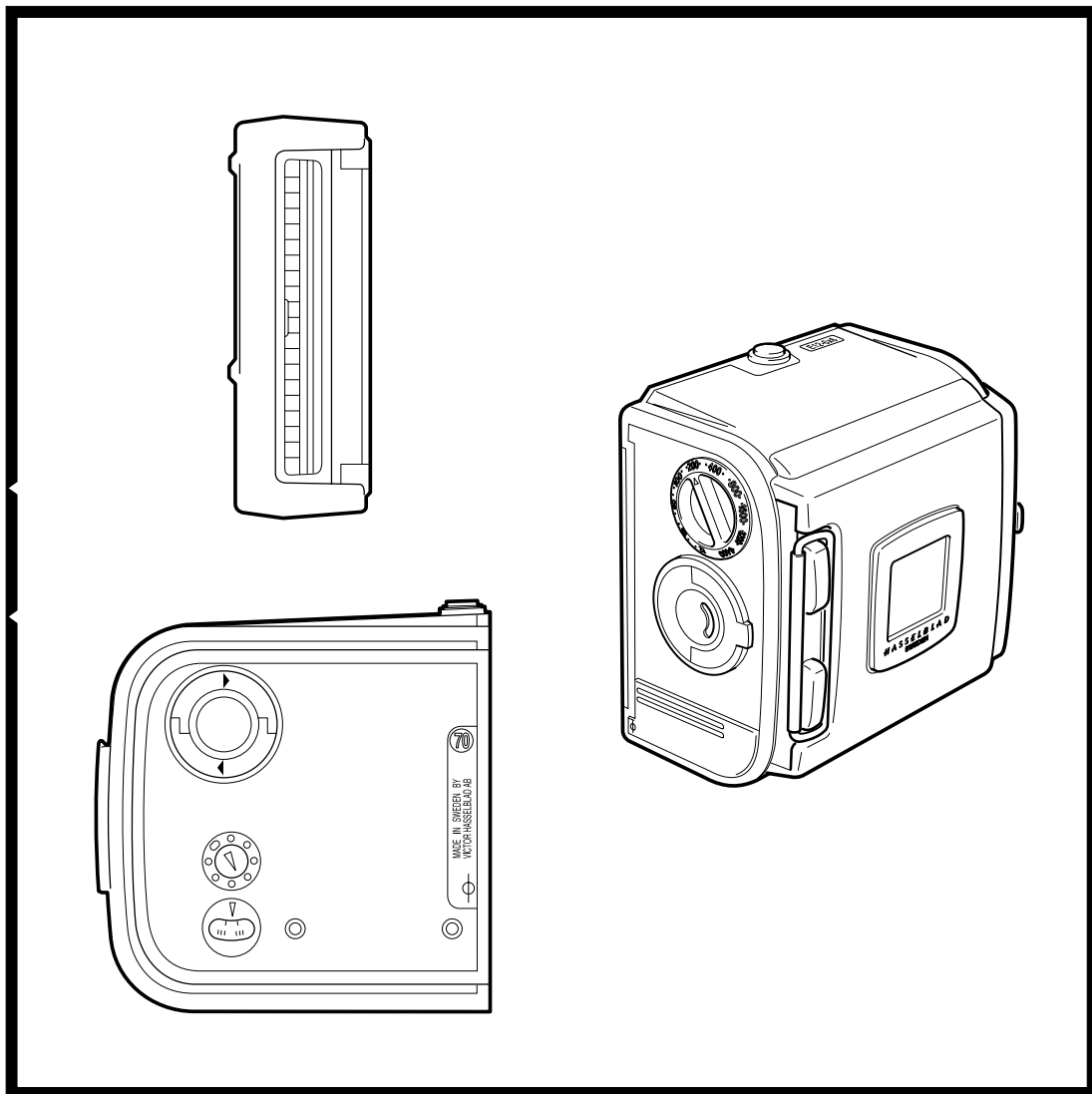


H A S S E L B L A D

Service Manual Film magazines



May 1993

Victor Hasselblad AB
Göteborg Sweden

Copyright © 1997 by Victor Hasselblad AB. All rights reserved. No parts of this material may be reproduced, stored in retrieval system or transmitted, in any form or by any means, electronic, mechanical, photocopy, recording, or otherwise, without the prior written permission of the Company.

Film magazines**1.**

-
- 1. Disassembly: Film magazines series A, E, TCC**

 - 2. Reassembly: Film magazines series A, E, TCC**

 - 3. Support and mechanism A12, A16, A16S, A24**

 - 4. Shell and cover A12, A16, A16S, A24**

 - 5. Shell and cover A12, A16, A24 (Modified 1996)**

 - 6. Shell and dark slide holder A12, A16, A24**

 - 7. Spool holder A12, A24 S/N TR 133000 - RI 3250868**

 - 8. Spool holder A12, A24 S/N RI 3250869 - forwards**

 - 9. Spool holder A16, A16S S/N UV 211701 - 31EP12394**

 - 10. Spool holder A16 S/N 31EP12395 - forwards, A32**

 - 11. Cover A16 S/N 31EP12395 - forwards**

 - 12. Support and Mechanism A12/A16/A24TCC, E12/16/24, E12CC**

 - 13. Shell, cover and dark slide holder E12/16/24, E12CC**

 - 14. Shell and dark slide holder E12/16/24, E12CC (Modified 1996)**

 - 15. Shell and cover A12TCC, A16TCC, A24TCC**

 - 16. Spool holder A12/A16/A24TCC, E12/16/24, E12CC**

 - 17. Cover and circuit board E12, E16, E24**

 - 18. Cover and circuit board A12/A16/A24TCC, E12CC**

 - 19. Support magazine 70**

 - 20. Mechanism magazine 70**

 - 21. Shell and cover magazine 70**

 - 22. Spool holder magazine 70**

 - 23. Polaroid magazine 100**

Magazines

| | |
|--------------|--|
| 06/93 | Modification - A12, A16, A24 and 70 (incl. TCC) |
| 11/94 | E-type film magazines introduced - E12, E16 and E24 |
| 15/95 | Stop arm modification - A, E and TCC |
| 20/95 | Film magazine E12, E16 and E24 |
| 25/95 | Magazine shell and support modification - A, E and TCC |
| 26/95 | New spool holder - A16 |
| 27/95 | Magazines redesigned - A12, A16 and A24 |
| 08/96 | New dark slide holder - E12, E16, E24 and E12CC |
| 09/96 | Fixed stop screw - A24 and E24 |
| 10/96 | Modified spool holder - E12, E16, E24, E12CC and A16 |
| 10/97 | New picture frame - A16 and E16 |
| 11/97 | New spacing gear - A16 and E16 |
| 12/97 | Modified magazine support - A12, A24, E12, E24 and E12CC |
| 19/97 | Shaft and mechanism plate modification - A12, A16 and A24 |
| 24/97 | Film magazine - A32 |
| 25/97 | Spare part number changed - PolaPlus/PolaBasic |
| 01/00 | New CD-ROM - Version 1.2 |
| 02/00 | Adjustment of the eccentric - A16 and E16 |
| 09/00 | New CD-ROM - Version 1.3 |
| 15/00 | Discontinued modification kit - friction brake A12 |
| 16/00 | Modification of light trap foil |
| 04/01 | New CD-ROM - Version 2.0 |

Film magazines series A, E and TCC

Right cover (see page 13)

Pull out the magazine slide.
Remove the spool holder from the magazine.
Dismantle the magazine slide holder where appropriate. Remove the leather from the cover.
Unscrew 3 screws **823012** and lift off the right cover.

Mechanism (see page 12)

Remove the washer **810927**, loosen 2 screws **823012** and lift off plate **308485**. Remove gear **12209**. Pull up the shaft **308426**, and remove the complete gear **308109**. Lift off and separate the spring housing **13030** from hub **14185**, remove return spring **14184**. Remove the clip **817132**, washer **810802** and return stop **20717**.

Remove the washer **810926**, unhook spring **814852** from link **21494**. Unhook the 2 springs **814527** from the riveted pin (A Fig. 1).

Remove the signal **13031**, loosen 3 screws **824202** and lift off dial **13806**, remove spring **816611**.

Pull up the shaft **12819** and remove arm **22715**. Lift the centre mechanism **21548** up from the hub in the magazine support (B Fig. 1), turn it slightly sideways, and lift off gear **22371** and thereafter centre mechanism **21548**. Remove the release arm **22277**.

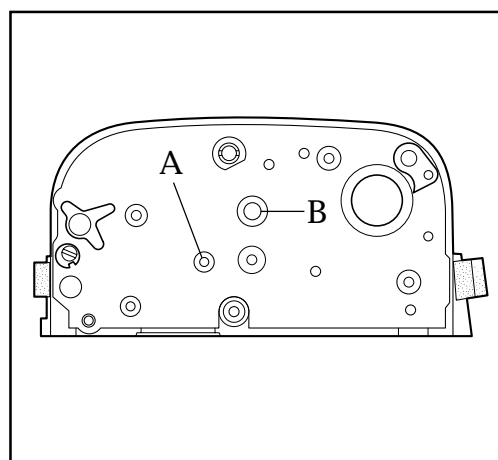


Fig. 1

Outer plate (see page 12 and 13).

Unscrew 9 screws **823015** and lift off the outer plate. Remove the light trap **13067**, foil **13508**, exposure lock **21535**, spring **13820**, 2 plate springs **13821** and locking spring **20684**.
Remove the locking arm **20843** from button **22356**.
Unhook the spring **814752** from the locking arm.

Film magazines series A, E and TCC

Shell (see page 13)

Loosen the screws **823017** and **823013** situated underneath the leather on the shell.

(The shell of older magazines are slightly different, where 2 screws **820013** are going through the right side of the body and into the frame. They have to be dismantled too. See Service Info 25/95).

Separate the shell from the magazine support.

Spool holder (see page 16 and 17)

Loosen 4 screws **824033**, lift up the plate **312105** slightly and remove pressure plate **308104** and plate spring **13913**. Loosen the 2 screws **826028**, disconnect spring **814952** from support **308516**, and lift off plate **312105** and arm **22398**.

Lift off the rollers **13514**, remove spring **12540** and looking shaft **308103**.

Remove the leather **308521** and rubber plate **308365**. Unscrew the 4 screws **823435**. Lift off the cover **308519**. Remove the indicators and dials.

CAUTION! When handling the circuit board a grounded bench mat and a wrist strap must be used to prevent ESD damage.

Unsolder the 4 cables of the contact assembly **308043** from the circuit board. Remove the circuit board carefully (kept in place by a double sided adhesive tape).

Disassemble the clip **817140** and remove locking mechanism **308101**. Loosen the gear **22375** and remove locking mechanism and film signal **22382**. Unscrew the 4 screws **823650** and separate the end plate from the support.

Film magazines series A, E and TCC

Shell (see page 13)

Fit the shell on the magazine support. Note! The position of the shell in connection with the support (Fig. 2). Secure with the 5 screws **820013** and **823017**. Fold back the leather onto the shell and fasten with glue.

Outer plate (see page 12 and 13)

Fit the exposure lock **21535**, spring **13820** and 2 plate springs **13821** on the support. Thread the washer **810761** over button **22356** and assemble it in the shell. Connect the spring **814752** to locking arm **20843**. Grease the spring, as well as the upper side of the locking arm, and connect it to button **22356**. Fit the locking spring **20684**. Put the light trap **13067** in foil **13508** and fit it on the support. Pull down and hold the light trap in place by means of the magazine slide **41068**, fit the outer plate and secure it with 9 screws **823015**. Make sure that the exposure lock **21535** and locking arm **20843** are functioning when taking the magazine slide in and out.

Picture frame

The position of the picture frame of the magazine, i. e. the distance between the edge of the picture frame and the outer plate is inspected and adjusted using the magazine gauge V- 4548. The distance is $3.55 \text{ mm} \pm 0.05 \text{ mm}$ (Fig. 3).

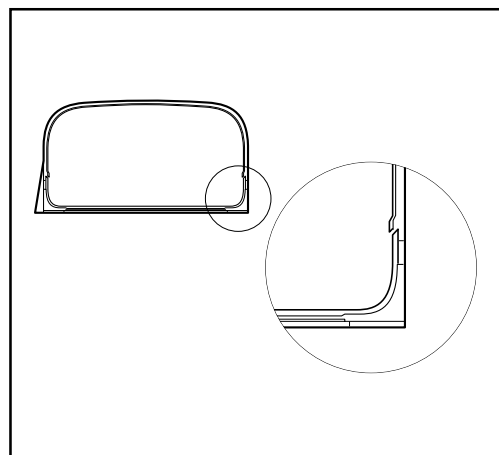


Fig. 2

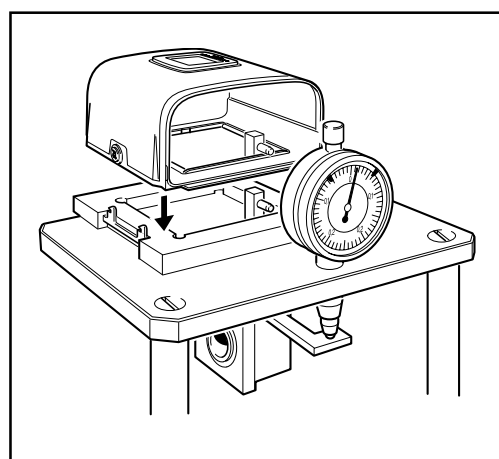


Fig. 3

Film magazines series A, E and TCC

Mechanism (see page 12)

Lubricate with grease (Fig. 4). Fit the release arm **22277**. Lubricate the gears and shafts of the centre mechanism **21548** with some drops of oil and fit it over the pin (A Fig 4).

Fit the gear **22371** and bring the centre mechanism into the hub of the magazine support. Fit the spring **816611** into the spacing gear. Tension the spring by rotating the gear clockwise approx. 1 1/2 turns. Turn the spacing gear towards the stop and check that it returns properly (to Zero).

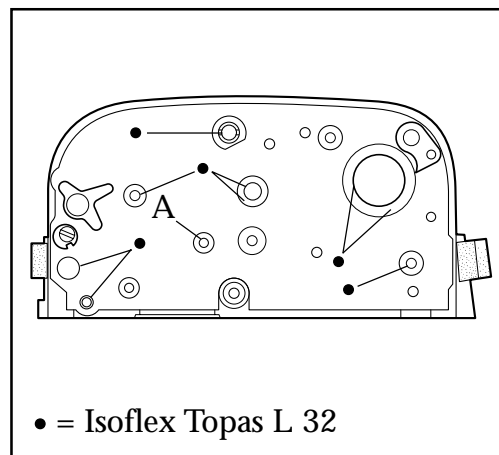


Fig. 4

Fit the arm **22715**. Lubricate the shaft **12819** with grease and assemble it. Connect 2 springs **814527** to the pin (A Fig. 4).

On the centre mechanism there are 2 springs, connect them to the screw **824060** and link **21494** respectively. Fit the dial **13806** over the spacing gear. Secure with 3 screws **824202**, do not tighten the screws too hard (Fig. 5)

Fit the return stop **20717** together with washer **810802** and secure it with clip **817132**.

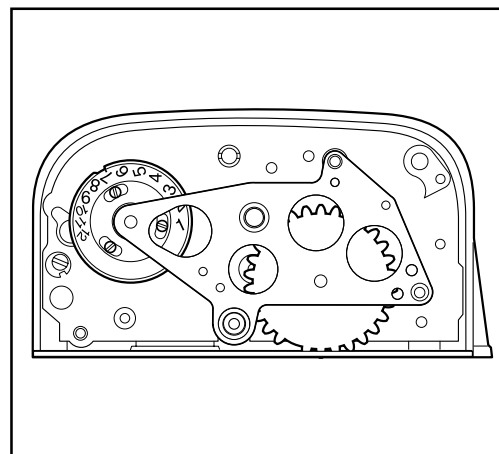


Fig. 5

Fit the spring **14184** in the spring housing as shown in the diagram. The easiest way to do this is to use a new spring kept in its plastic ring, then lubricate the spring with grease (Fig. 6).

Fit the hub **14185** into the spring and assemble back the spring housing on the magazine support.

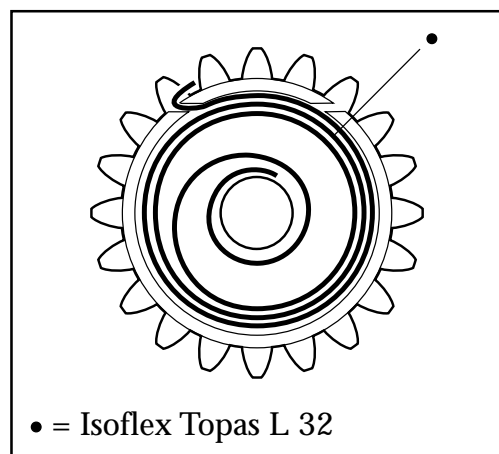


Fig. 6

Film magazines series A, E and TCC

Lubricate the gear assembly **308109** (Fig. 7).
Tension the spring **14184** by rotating the spring housing **13030** clockwise approx. 1 1/2 turns, hold in place and fit the gear assembly (Fig. 8).

Conduct the shaft **308426** through gear **308109**.
Note! The long pin has to go down into the magazine support. Fit the gear **12209**, insert washer **810926** over the centre mechanism **21548**, fit the plate **308485** and secure with 2 screws **823012**.
Fit the washer **810927** over the plate. Tension the spring **816509** approx. 1 turn and fit the film signal **13031**.

Adjustment of automatic stop

Press the pin **13754** in with a finger and rotate gear **12209** clockwise until release arm **22277** falls into the first recess under gear **22371**.

At the same time this takes place the stop on plate **308485** has to fall into the recess on dial **13806**. This relation will be adjusted by turning the dial. When the correct position is reached the screws **824202** shall be tightened and secured with safety lacquer (Fig. 9)

Adjustment of eccentric 22171

With eccentric **22171** you can easily increase or reduce the distance between the mark (double arrow) at the backing paper and the position of first exposure. Loosen the screw **820013** and rotate the eccentric to the required position and then tighten the screw. Note! The screw shall be secured with loctite. In fig. 9 you can see the basic position of the eccentric, which is set to fit our reference film (Kodak Plus-X).

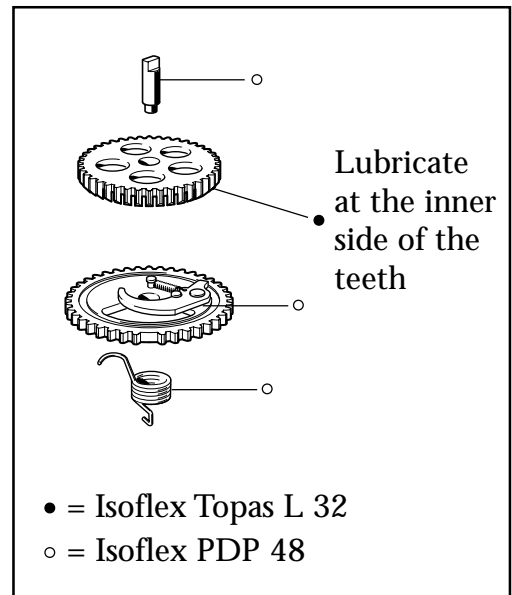


Fig. 7

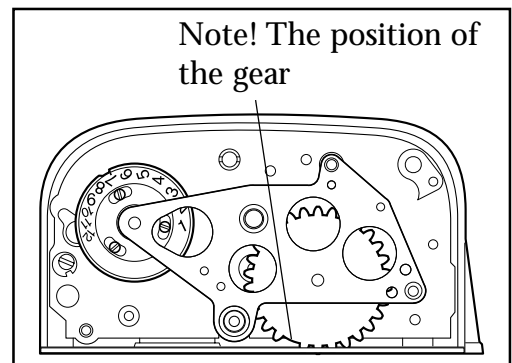


Fig. 8

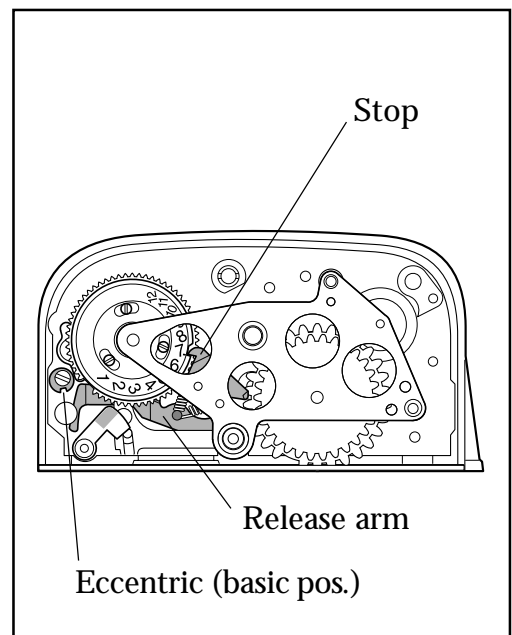


Fig. 9

Film magazines series A, E and TCC

Right cover (see page 13)

Fit the cover, secure with 3 screws **823012** and put the leather back.

Fit the magazine slide holder when necessary.

Spool holder (see page 15 and 16)

CAUTION! When handling the circuit board a grounded bench mat and a wrist strap must be used to prevent ESD damage.

Fit the support and end plate with 4 screws **823650** (secured with loctite). Thread the 4 cables **308043** through the end plate and solder them on the circuit board. Press the circuit board on to the end plate, and if necessary, replace the tape **308495**. Fit the dials, indicators, cover, leather and rubber plate. Fit the felt ring **308410**, thread the washer **810925** over the lock **308101** and fit it as well as the film signal **22382** into the spool holder, together with gear **22375** so that you will get a red indication in the film indicator (exact adjustment will be set later), fasten the locking handle with clip **817140**. Fit the 2 rollers **13514**, locking shaft **308103** and spring **12540**.

Adjustment of film indicator

Fit the plate **312105** and take-up arm **22398**, connect spring **814952**. Place the film indicator gauge V-5065 (magazine 12 and 16) or V-5068 (magazine 24) on the feeding side of the spool holder. Adjust the indicator by holding the gear **22375** in place and thereafter turn the shaft of the film signal **22382** to the position as shown in the diagram (Fig. 10). Take the film indicator gauge off and check that the film signal is changing to fully red (Fig. 11). Secure the gear **22375** to the shaft with safety lacquer. Fit the contact assembly **308043** in plate **312105** with 2 screws **826028**. Loosen the screws **824033** somewhat, lift up plate **312105** and fit the plate spring **13913** and the pressure plate **308104**, then tighten the screws **824033**.

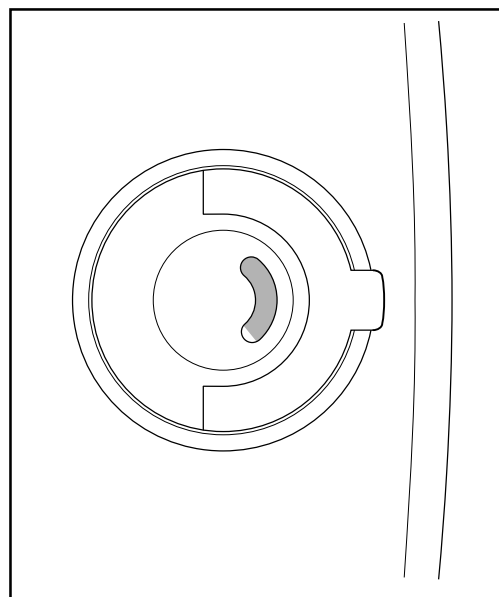


Fig. 10

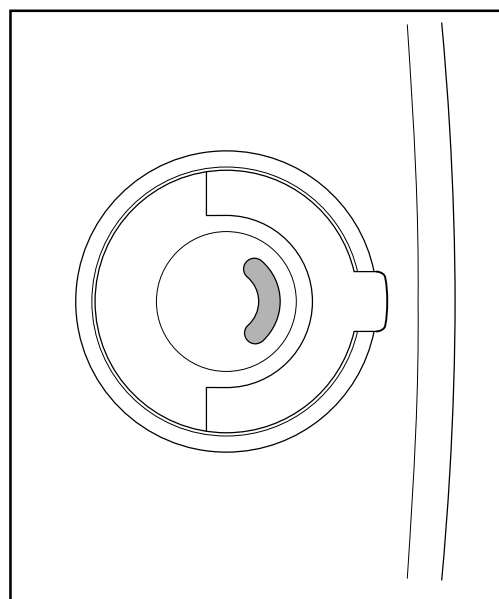


Fig. 11

Film magazines series A, E and TCC

Final checks

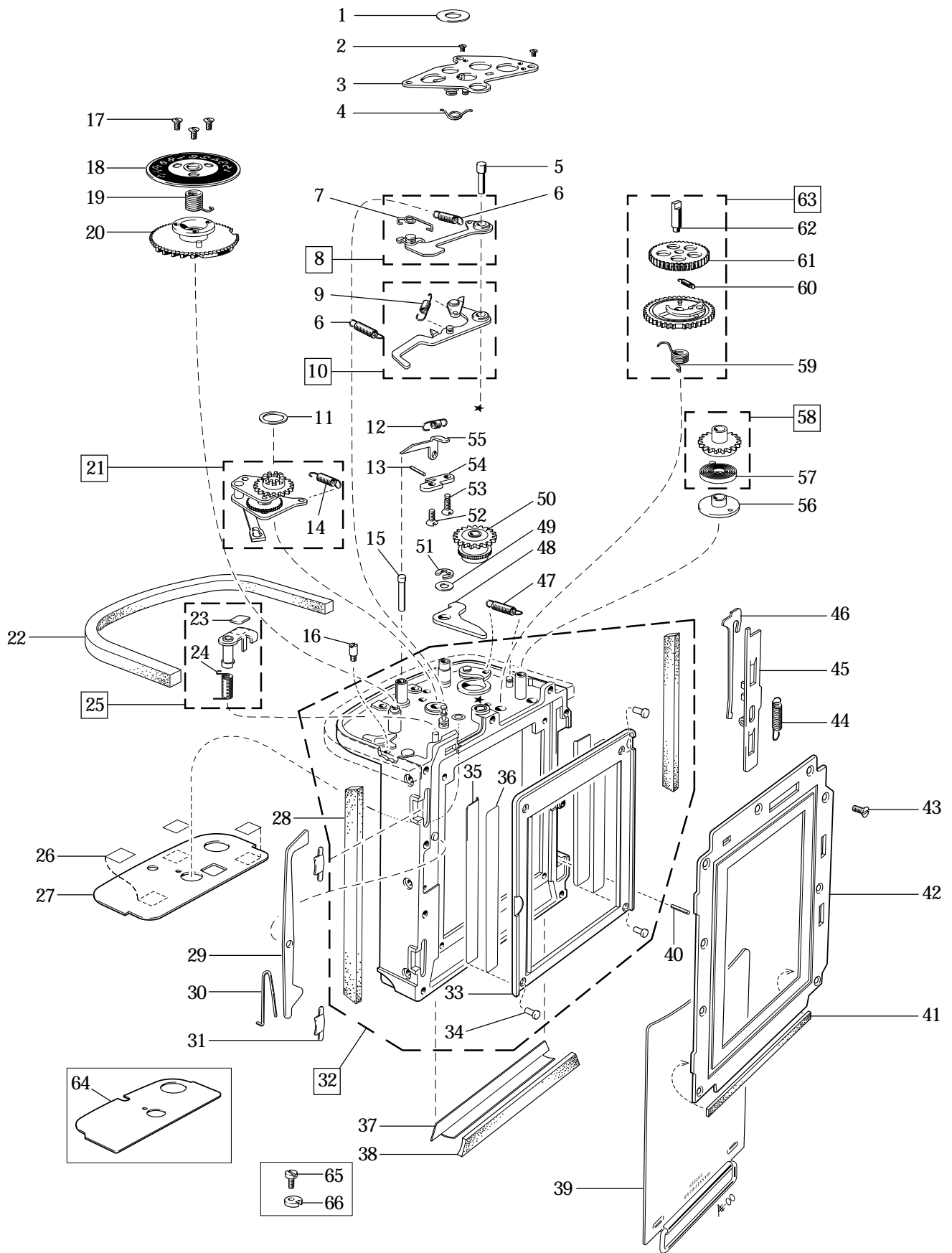
Insert the spool holder in to the magazine, advance and check that the automatic stop is functioning (first exposure). Adapt the magazine on a camera body and make some test exposures.

Check that the film counter, exposure signal, etc. are functioning. Take the spool holder out and check that the film counter sets to zero.

Load the magazine with film and check the spacing i.e. that you after every exposure are making a mark on the film inside the picture frame and then check the placing of the "exposures". Check also that the film indicator gradually changes from white to red as the film is wound through.

After the repair of E or TCC magazine the speed and film contrast dials shall be checked. Adapt the magazine on a 203FE or a 205FCC camera and connect it to the Hasselblad Service Test System. Choose the function "203/205" from the main menu, then choose the function "MAGAZINE" from the sub menu. Turn the ISO dial and the film contrast dial from 12 to 6400 and from -4 to +3 respectively and back again.

Magazine A12, A16, A16S, A24



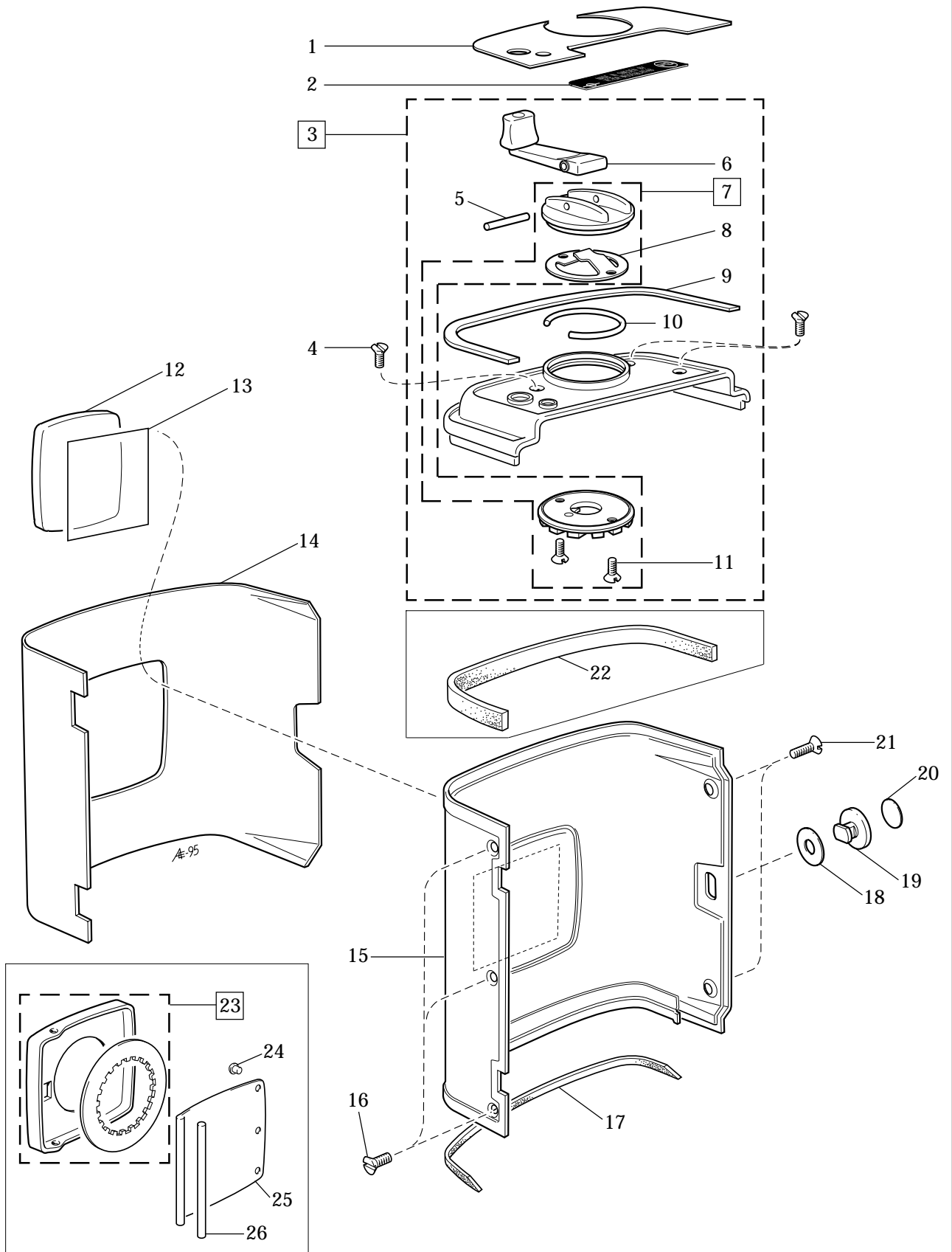
Magazine A12, A16, A16S, A24

| Pos No. | Pcs | Spare Part No. | Description | Remark |
|---------|-----|----------------|------------------|---------------------------------|
| 1 | 1 | 810 927 | Washer | |
| 2 | 2 | 823 012 | Screw | |
| 3 | 1 | 308 485 | Plate | |
| 4 | 1 | 816 505 | Spring | |
| 5 | 1 | 12 819 | Shaft | |
| 6 | 2 | 814 527 | Spring | |
| 7 | 1 | 816 502 | Spring | |
| 8 | 1 | 22 715 | Arm | |
| 9 | 1 | 814 508 | Spring | |
| 10 | 1 | 22 277 | Release arm | A12, A16, A16S |
| | 1 | 22 315 | Release arm | A24 |
| 11 | 1 | 810 926 | Washer | |
| 12 | 1 | 814 852 | Spring | |
| 13 | 1 | 812 005 | Pin | |
| 14 | 1 | 814 803 | Spring | |
| 15 | 1 | 13 754 | Pin | |
| 16 | 1 | 822 065 | Stop screw | A12, A24 |
| 17 | 3 | 824 202 | Screw | |
| 18 | 1 | 13 806 | Dial | A12 |
| | 1 | 13 849 | Dial | A16, A16S |
| | 1 | 13 819 | Dial | A24 |
| 19 | 1 | 816 611 | Spring | |
| 20 | 1 | 22 371 | Spacing gear | A12 |
| | 1 | 21 583 | Spacing gear | A16, A16S |
| | 1 | 22 841 | Spacing gear | A16, Serial No. 31ET10601 - fwd |
| | 1 | 21 484 | Spacing gear | A24 |
| 21 | 1 | 21 548 | Center mechanism | A12, A16, A16S |
| | 1 | 21 483 | Center mechanism | A24 |
| 22 | 1 | 22 716 | Light seal | |
| 23 | 1 | 22 745 | Tape | |
| 24 | 1 | 816 509 | Spring | |
| 25 | 1 | 13 031 | Signal | |
| 26 | 3 | 308 488 | Tape washer | |
| 27 | 1 | 22 747 | Cover plate | |
| 28 | 2 | 14 309 | Light seal | |
| 29 | 1 | 21 535 | Exposure lock | |
| 30 | 1 | 13 820 | Spring | |
| 31 | 2 | 13 821 | Plate spring | |
| 32 | 1 | 30 752 | Magazine support | A12, A24 |
| | 1 | 30 751 | Magazine support | A16 |
| | 1 | 30 516 | Magazine support | A16S |
| 33 | 1 | 22 710 | Picture frame | A12 |
| | 1 | 22 712 | Picture frame | A16 |
| | 1 | 21 587 | Picture frame | A16S |
| 34 | 4 | 833 105 | Rivet | |
| 35 | 2 | 309 407 | Light seal | A16 |
| 36 | 2 | 309 408 | Tape | A16 |
| 37 | 1 | 13 508 | Foil | |
| 38 | 1 | 13 067 | Light trap | |
| 39 | 1 | Z41 068 | Magazine slide | |
| 40 | 1 | 812 107 | Pin | |
| 41 | 1 | 12 295 | Ribbon | |

Magazine A12, A16, A16S, A24

| Pos No. | Pcs | Spare Part No. | Description | Remark |
|----------------|------------|-----------------------|--------------------|---|
| 42 | 1 | 40 380 | Outer plate | Please state serial No. Previous type outer plate, please see Service Info 6/93 |
| | 1 | 13 804 | Outer plate | |
| 43 | 9 | 823 015 | Screw | |
| 44 | 1 | 814 752 | Spring | |
| 45 | 1 | 20 843 | Locking arm | |
| 46 | 1 | 20 684 | Locking spring | |
| 47 | 1 | 814 307 | Spring | |
| 48 | 1 | 20 717 | Return stop | |
| 49 | 1 | 810 802 | Washer | |
| 50 | 1 | 12 209 | Gear | |
| 51 | 1 | 817 132 | Clip | |
| 52 | 1 | 823 012 | Screw | |
| 53 | 1 | 824 060 | Screw | |
| 54 | 1 | 21 568 | Bracket | |
| 55 | 1 | 21 494 | Link | |
| 56 | 1 | 14 185 | Hub | |
| 57 | 1 | 14 184 | Spring | |
| 58 | 1 | 13 030 | Spring housing | |
| 59 | 1 | 816 707 | Spring | |
| 60 | 1 | 814 303 | Spring | |
| 61 | 1 | 12 215 | Gear | |
| 62 | 1 | 308 426 | Shaft | |
| 63 | 1 | 308 109 | Gear assembly | A12 |
| | 1 | 309 103 | Gear assembly | A16, A16S |
| | 1 | 311 101 | Gear assembly | A24 |
| 64 | 1 | 21 490 | Cover | Previous type cover |
| 65 | 1 | 820 013 | Screw | A16, A16S |
| 66 | 1 | 22 171 | Eccentric | A16, A16S |

Magazine A12, A16, A16S, A24



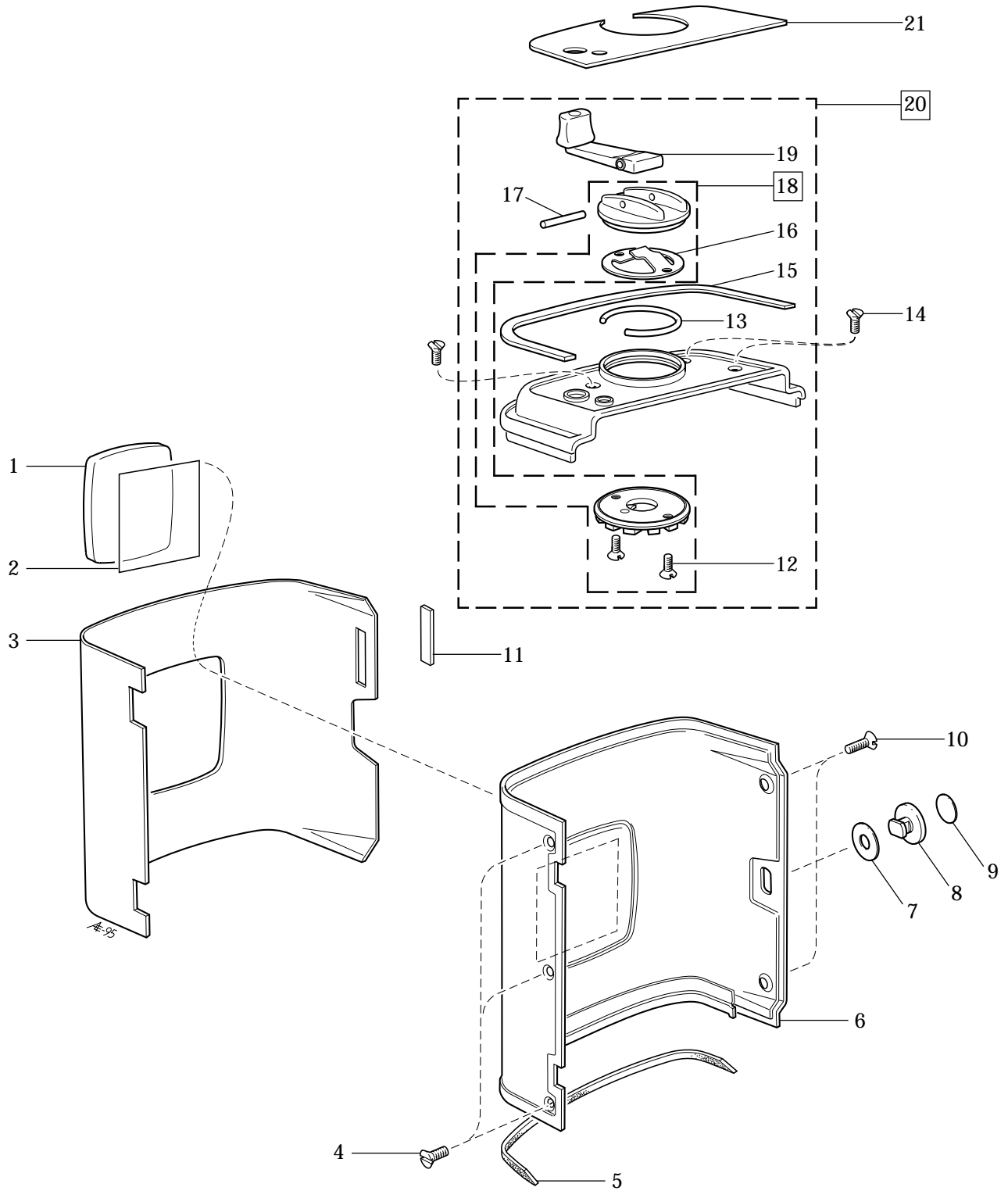
H A S S E L B L A D

Magazine A12, A16, A16S, A24

4

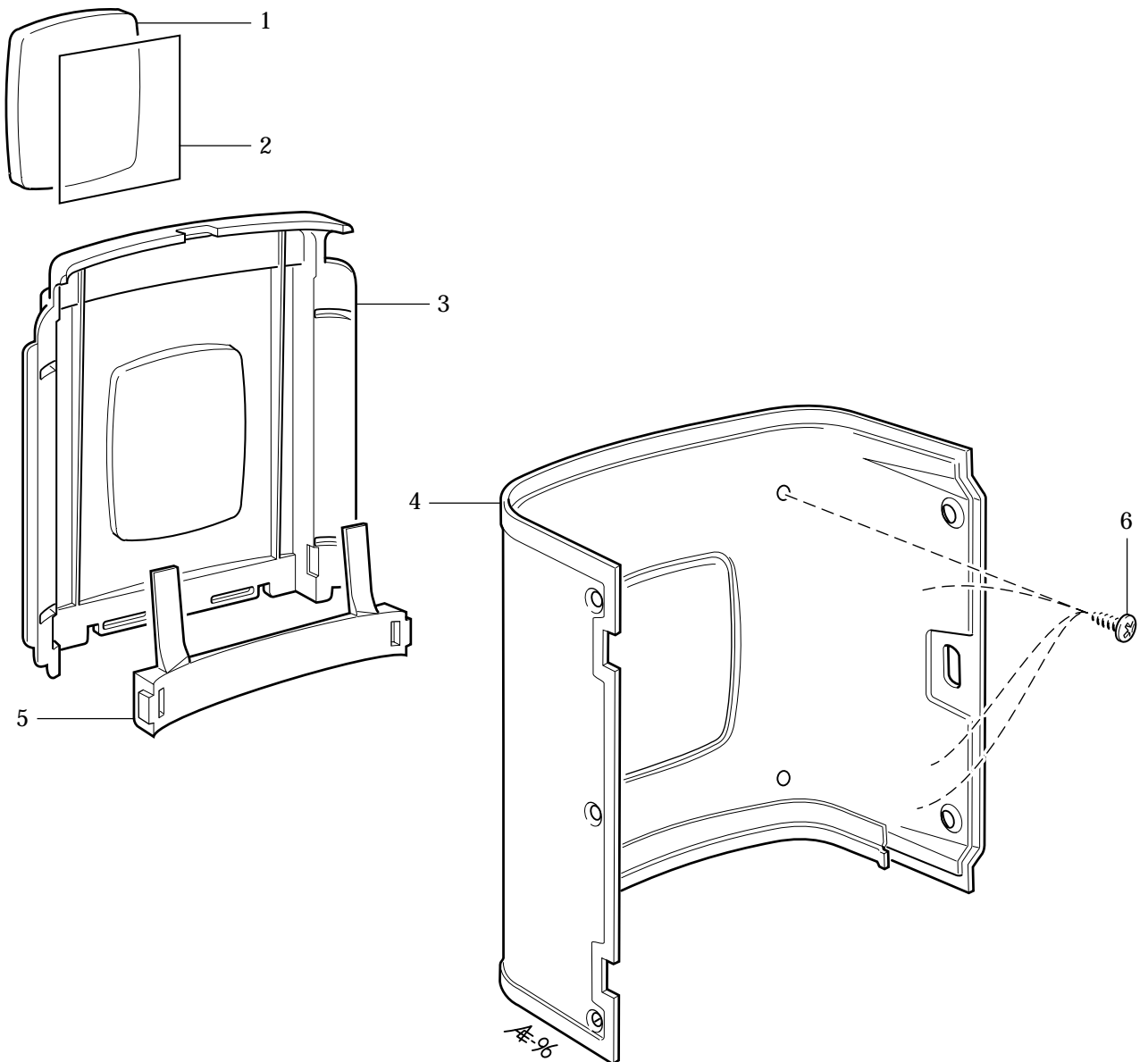
| Pos No. | Pcs | Spare Part No. | Description | Remark |
|---------|-----|----------------|-----------------------|------------------------------|
| 1 | 1 | 13 080 | Leather | |
| 2 | 1 | 13 091 | Name plate | A12 |
| | 1 | 13 082 | Name plate | A16 |
| | 1 | 13 299 | Name plate | A16S |
| | 1 | 13 748 | Name plate | A24 |
| 3 | 1 | 30 483 | Cover right, complete | A12 chrome |
| | 1 | 30 639 | Cover right, complete | A12 black |
| | 1 | 30 499 | Cover right, complete | A16, A16S, A24 chrome |
| | 1 | 30 640 | Cover right, complete | A16, A16S, A24 black |
| 4 | 3 | 823 012 | Screw | |
| 5 | 1 | 812 207 | Pin | |
| 6 | 1 | 13 810-1 | Handle | |
| 7 | 1 | 21 572-2 | Crank mounting | |
| 8 | 1 | 13 826 | Spring | |
| 9 | 1 | 12 290 | Leather | |
| 10 | 1 | 13 827 | Tube | |
| 11 | 2 | 823 015 | Screw | |
| 12 | 1 | 308 328 | Film indicator | |
| 13 | 1 | 308 507 | Tape | |
| 14 | 1 | 21 537 | Leather | |
| 15 | 1 | 308 023 | Shell | Chrome |
| | 1 | 308 024 | Shell | Black |
| 16 | 3 | 823 013 | Screw | |
| 17 | 1 | 22 409 | Light seal | |
| 18 | 1 | 810 761 | Teflon washer | |
| 19 | 1 | 22 356 | Button | |
| 20 | 1 | 22 440 | Sign plate | A12 |
| | 1 | 22 438 | Sign plate | A16 |
| | 1 | 22 439 | Sign plate | A16S |
| | 1 | 22 441 | Sign plate | A24 |
| 21 | 2 | 823 017 | Screw | |
| 22 | 1 | 12 942 | Light seal | Below Serial No. 30EI58263 |
| 23 | 1 | 21 456 | Cover | Previous type Film indicator |
| 24 | 3 | 832 203 | Rivet | |
| 25 | 1 | 21 418 | Plate spring | |
| 26 | 1 | 13 692 | Shaft | |

Magazine A12, A16, A24 (Modified 1996)



Magazine A12, A16, A24 (Modified 1996)

| Pos No. | Pcs | Spare Part No. | Description | Remark |
|---------|-----|----------------|-----------------------|-----------------|
| 1 | 1 | 308 328 | Film indicator | |
| 2 | 1 | 308 507 | Tape | |
| 3 | 1 | 30 312 | Leather | |
| 4 | 3 | 823 013 | Screw | |
| 5 | 1 | 22 409 | Light seal | |
| 6 | 1 | 308 023 | Shell | Chrome |
| | 1 | 308 024 | Shell | Black |
| 7 | 1 | 810 761 | Teflon washer | |
| 8 | 1 | 22 356 | Button | |
| 9 | 1 | 22 404 | Leather | |
| 10 | 2 | 823 017 | Screw | |
| 11 | 1 | 308 534 | Name plate | A12 |
| | 1 | 309 507 | Name plate | A16 |
| | 1 | 311 407 | Name plate | A24 |
| 12 | 2 | 823 015 | Screw | |
| 13 | 1 | 13 827 | Tube | |
| 14 | 3 | 823 012 | Screw | |
| 15 | 1 | 12 290 | Leather | |
| 16 | 1 | 13 826 | Spring | |
| 17 | 1 | 812 207 | Pin | |
| 18 | 1 | 21 572-2 | Crank mounting | |
| 19 | 1 | 13 810-1 | Handle | |
| 20 | 1 | 30 483 | Cover right, complete | A12 chrome |
| | 1 | 30 639 | Cover right, complete | A12 black |
| | 1 | 30 499 | Cover right, complete | A16, A24 chrome |
| | 1 | 30 640 | Cover right, complete | A16, A24 black |
| 21 | 1 | 308 411 | Leather | |

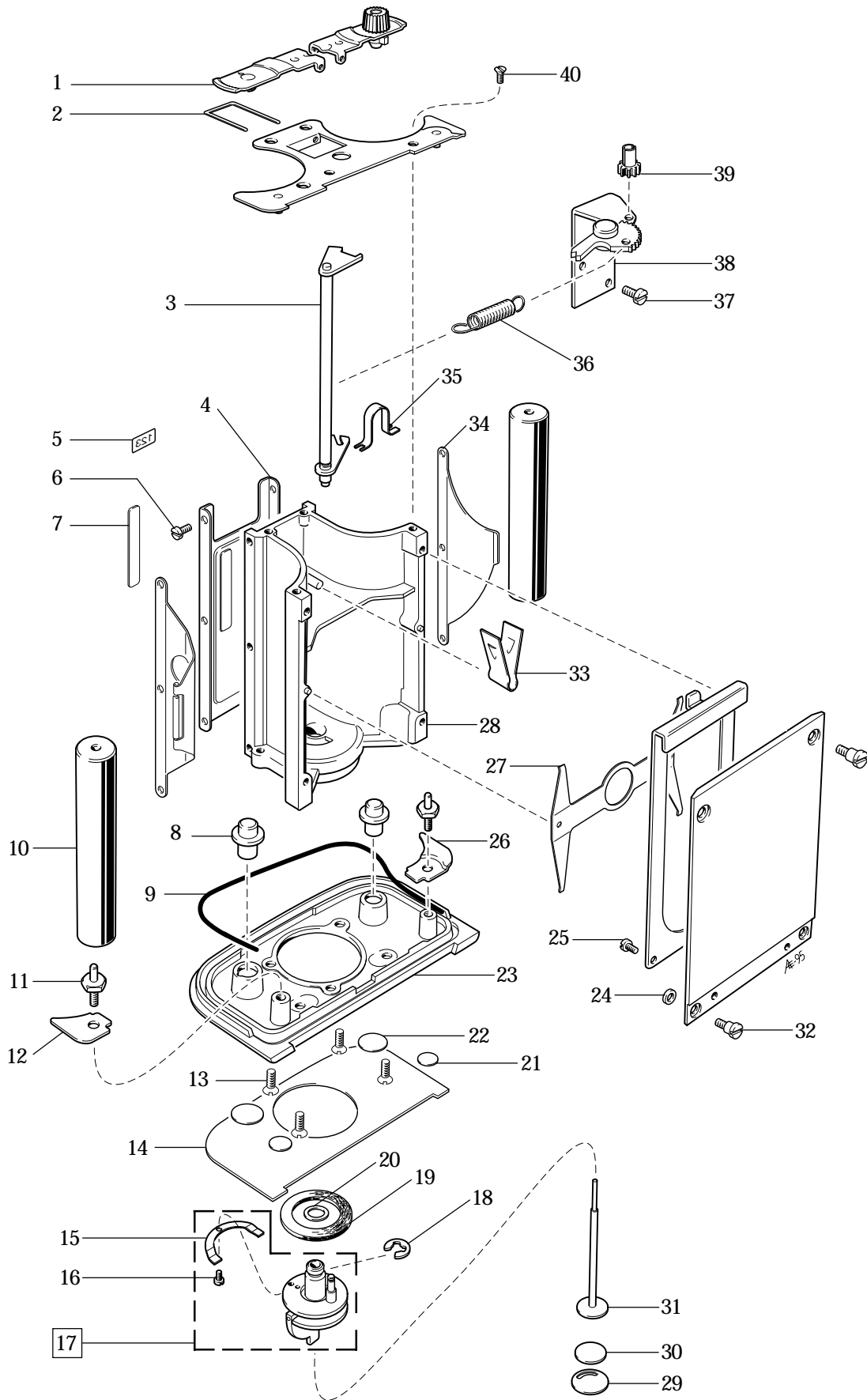


H A S S E L B L A D
Magazine A12, A16, A24

6

| Pos No. | Pcs | Spare Part No. | Description | Remark |
|----------------|------------|-----------------------|--------------------|---------------|
| 1 | 1 | 308 328 | Film indicator | |
| 2 | 1 | 308 507 | Tape | |
| 3 | 1 | 308 536 | Dark slide holder | |
| 4 | 1 | 308 015 | Shell | Chrome |
| | 1 | 308 016 | Shell | Black |
| 5 | 1 | 308 400 | Support | |
| 6 | 4 | 826 038 | Screw | |

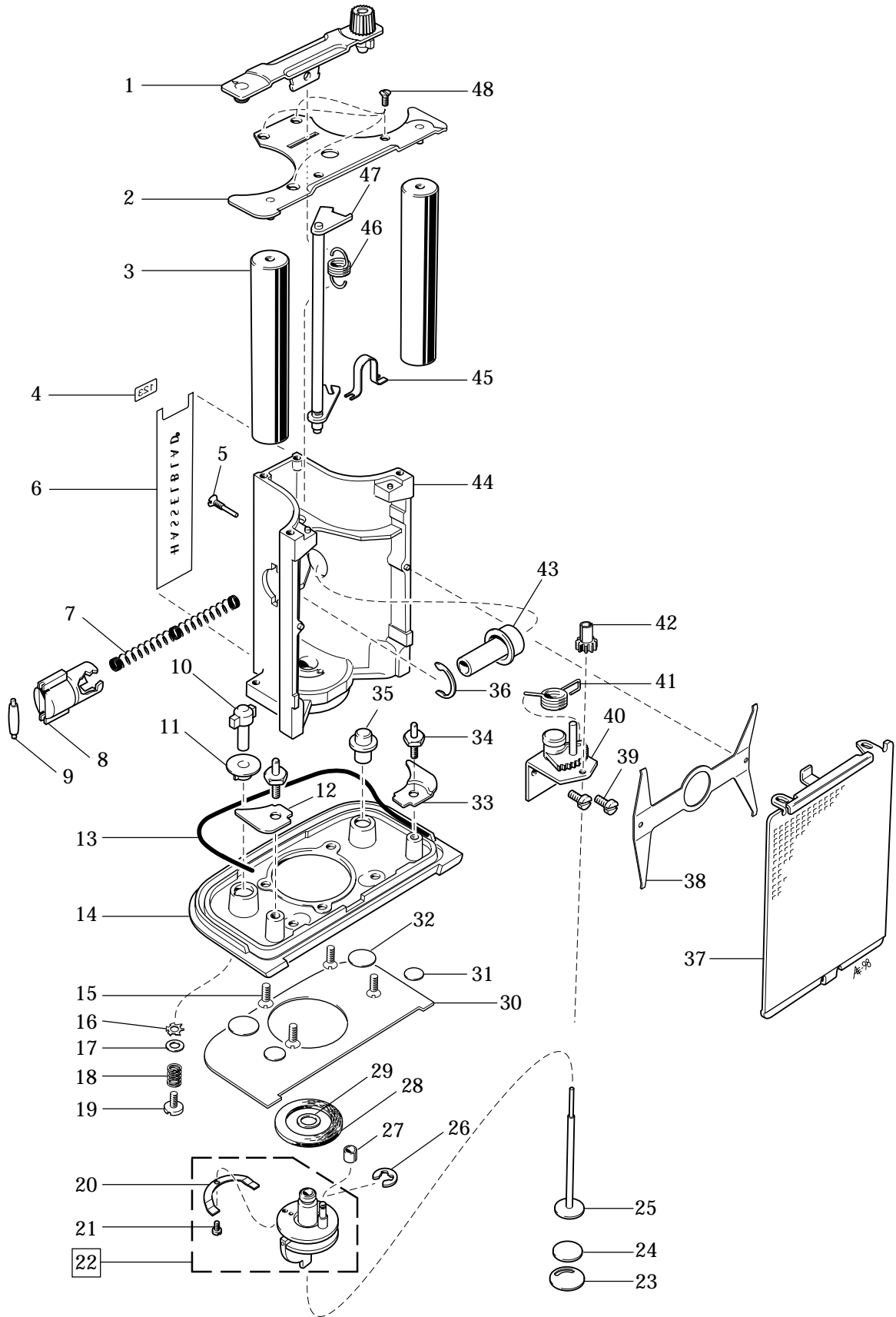
Magazine A12, A24 Serial No. TR 133000 - RI 3250868



| Pos No. | Pcs | Spare Part No. | Description | Remark | |
|---------|-----|----------------|----------------------------|-------------------------|---------------------------------|
| 1 | 1 | 13 797 | Arm | Please state serial No. | |
| 2 | 1 | 12 279 | Holder | | |
| 3 | 1 | 13 060 | Locking shaft | | |
| 4 | 1 | 13 795 | Cover | | |
| 5 | 1 | 14 261 | Number plate | | |
| 6 | 4 | 820 225 | Screw | | |
| 7 | 1 | 13 268 | Name plate | | |
| 8 | 2 | 22 282 | Spool center | | |
| 9 | 1 | 308 522 | Sealing cord | | |
| 10 | 2 | 13 514 | Roller | | |
| 11 | 2 | 12 273 | Journal | | |
| 12 | 1 | 13 511 | Film guide | | |
| 13 | 4 | 823 045 | Screw | | |
| 14 | 1 | 12 289 | Leather | | |
| 15 | 1 | 12 267 | Spring | | |
| 16 | 1 | 821 060 | Screw | | |
| 17 | 1 | 13 784 | Lock | | |
| 18 | 1 | 817 140 | Clip | | |
| 19 | 1 | 12 268 | Felt ring | | |
| 20 | 1 | 810 925 | Washer | | 0.1 mm |
| | 1 | 810 928 | Washer | | 0.2 mm |
| | 1 | 810 933 | Washer | | 0.5 mm |
| 21 | 2 | 12 722 -0.20 | Shim | | Alt. 12 722-0.10 or 12 722-0.30 |
| 22 | 2 | 14 093 | Shim | | |
| 23 | 1 | 40 305 | End plate | | Chrome |
| | 1 | 40 306 | End plate | | Black |
| 24 | 2 | 810 403 | Washer | | 0.2 mm |
| 25 | 2 | 820 012 | Screw | | |
| 26 | 1 | 13 510 | Film guide | | |
| 27 | 1 | 13 512 | Plate spring | | |
| 28 | 1 | 21 521-3 | Intermed. part + End plate | | Chrome |
| | 1 | 22 129-3 | Intermed. part + End plate | | Black |
| 29 | 1 | 13 792 | Plate | | |
| 30 | 1 | 13 791 | Window | | |
| 31 | 1 | 13 785 | Film signal | | |
| 32 | 4 | 822 001 | Screw | | |
| 33 | 1 | 12 307 | Spring | | |
| 34 | 1 | 12 769 | Spring | | |
| 35 | 1 | 12 540 | Spring | | |
| 36 | 1 | 814 522 | Spring | | |
| 37 | 2 | 820 014 | Screw | | |
| 38 | 1 | 21 524 | Bracket | | |
| 39 | 1 | 13 794 | Gear | | |
| 40 | 4 | 824 033 | Screw | | |

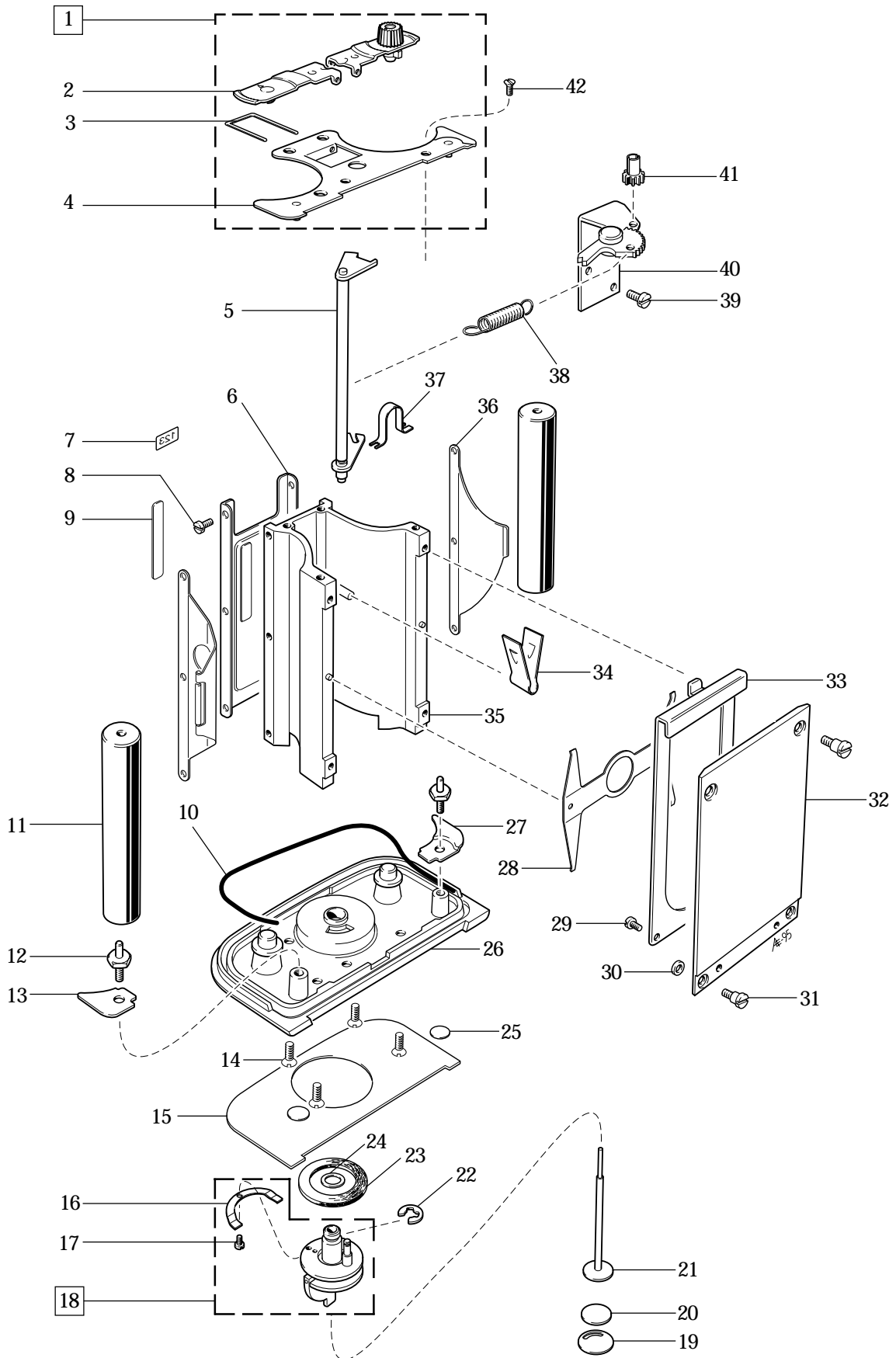
Please note!
 Parts assortment for this type of spool holder is now reduced.
 Parts not specified above are not available any more.

Magazine A12, A24 Serial No. RI 3250869 - forwards



| Pos No. | Pcs | Spare Part No. | Description | Remark |
|---------|-----|----------------|----------------------------|--------------------------------|
| 1 | 1 | 22 398 | Take-up arm | Please state serial No. |
| 2 | 1 | 22 389 | Plate | |
| 3 | 2 | 13 514 | Roller | |
| 4 | 1 | 14 261 | Number plate | |
| 5 | 1 | 22 408 | Screw | |
| 6 | 1 | 22 392 | Name plate | |
| 7 | 1 | 815 608 | Spring | |
| 8 | 1 | 40 318 | Plunger | |
| 9 | 1 | 22 406 | Roller | |
| 10 | 1 | 22 169 | Hub | |
| 11 | 1 | 22 168 | Bushing | Chrome Black |
| 12 | 1 | 13 511 | Film guide | |
| 13 | 1 | 308 522 | Sealing cord | |
| 14 | 1 | 40 305 | End plate | |
| | 1 | 40 306 | End plate | |
| 15 | 4 | 823 045 | Screw | |
| 16 | 1 | 13 436 | Locking washer | |
| 17 | 1 | 810 704 | Washer | |
| 18 | 1 | 815 901 | Spring | |
| 19 | 1 | 821 012 | Screw | |
| 20 | 1 | 12 267 | Spring | 0.1 mm 0.2 mm 0.5 mm |
| 21 | 1 | 821 060 | Screw | |
| 22 | 1 | 13 784 | Lock | |
| 23 | 1 | 13 792 | Plate | |
| 24 | 1 | 13 791 | Window | |
| 25 | 1 | 22 382 | Film signal | |
| 26 | 1 | 817 140 | Clip | |
| 27 | 1 | 22 901 | Sleeve | |
| 28 | 1 | 12 268 | Felt ring | |
| 29 | 1 | 810 925 | Washer | |
| | 1 | 810 928 | Washer | |
| | 1 | 810 933 | Washer | Alt. 12 722-0.10 or 12722-0.30 |
| 30 | 1 | 12 289-1 | Leather | |
| 31 | 2 | 12 722-0.20 | Shim | |
| 32 | 2 | 14093 | Shim | |
| 33 | 1 | 13 510 | Film guide | |
| 34 | 2 | 12 273 | Journal | |
| 35 | 1 | 22 282 | Spool center | |
| 36 | 1 | 817 289 | Clip | |
| 37 | 1 | 22 388 | Pressure plate | |
| 38 | 1 | 13 512 | Plate spring | |
| 39 | 2 | 820 014 | Screw | Chrome Black |
| 40 | 1 | 22 379 | Bracket | |
| 41 | 1 | 816 616 | Spring | |
| 42 | 1 | 22 375 | Gear | |
| 43 | 1 | 308 356 | Plunger | |
| 44 | 1 | 22 401 | Intermed. part + End plate | |
| | 1 | 22 412 | Intermed. part + End plate | |
| 45 | 1 | 12 540 | Spring | |
| 46 | 1 | 814 952 | Spring | |
| 47 | 1 | 13 060 | Locking shaft | |
| 48 | 4 | 824 033 | Screw | |
| | | 40 317 | Spool holder, compl. | Chrome Black |
| | | 40 319 | Spool holder, compl. | |

Magazine A16, A16S Serial No. UV 211701 - 31EP12394

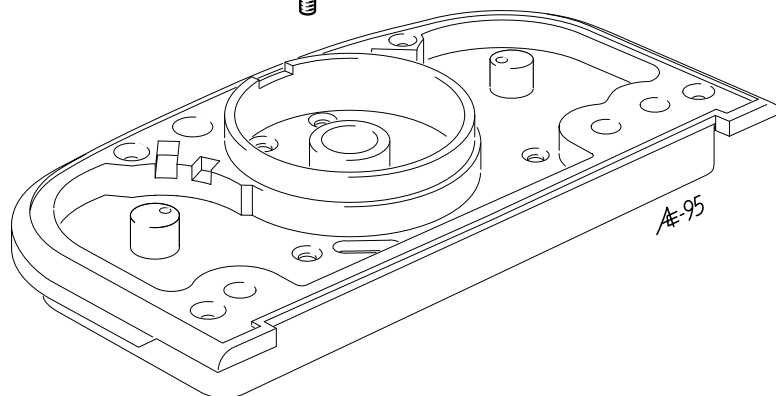
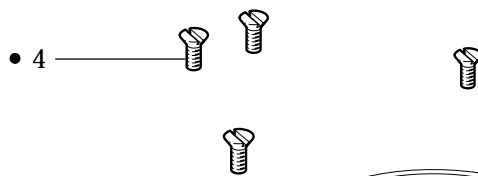
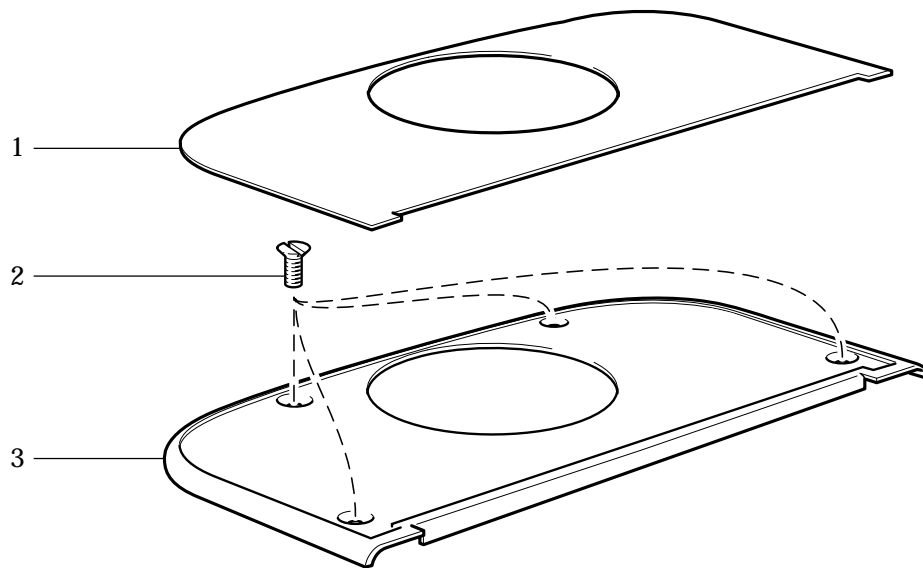


| Pos No. | Pcs | Spare Part No. | Description | Remark |
|---------|-----|----------------|----------------------------|--|
| 1 | 1 | 13 917 | Plate, compl. | |
| 2 | 1 | 13 797 | Arm | |
| 3 | 1 | 12 279 | Holder | |
| 4 | 1 | 13 916 | Plate | |
| 5 | 1 | 13 060 | Locking shaft | |
| 6 | 1 | 13 795 | Cover | |
| 7 | 1 | 14 261 | Number plate | Please state serial No. |
| 8 | 4 | 821 204 | Screw | |
| 9 | 1 | 13 268 | Name plate | |
| 10 | 1 | 308 522 | Sealing cord | |
| 11 | 2 | 13 514 | Roller | |
| 12 | 2 | 12 273 | Journal | |
| 13 | 1 | 13 912 | Film guide | |
| 14 | 4 | 823 045 | Screw | |
| 15 | 1 | 12 289 | Leather | |
| 16 | 1 | 12 267 | Spring | |
| 17 | 1 | 821 060 | Screw | |
| 18 | 1 | 13 784 | Lock | |
| 19 | 1 | 13 792 | Plate | |
| 20 | 1 | 13 791 | Window | |
| 21 | 1 | 13 785 | Film signal | |
| 22 | 1 | 817 140 | Clip | |
| 23 | 1 | 12 268 | Felt ring | |
| 24 | 1 | 810 925 | Washer | 0.1 mm |
| | 1 | 810 928 | Washer | 0.2 mm |
| | 1 | 810 933 | Washer | 0.5 mm |
| 25 | 2 | 12 722-0.20 | Shim | Alt. 12 722-0.10 or 12 722-0.30 |
| 26 | 1 | 90 394 | End plate | Chrome |
| | 1 | 90 458 | End plate | Black |
| 27 | 1 | 13 510 | Film guide | |
| 28 | 1 | 13 913 | Plate spring | |
| 29 | 2 | 820 012 | Screw | |
| 30 | 2 | 810 403 | Washer | |
| 31 | 4 | 822 001 | Screw | |
| 32 | 1 | 21 615 | Pressure plate | |
| 33 | 1 | 21 616 | Guide plate | |
| 34 | 1 | 12 307 | Spring | |
| 35 | 1 | 21 620 | Intermed. part + End plate | Chrome |
| | 1 | 22 131 | Intermed. part + End plate | Black |
| 36 | 1 | 12 769 | Spring | |
| 37 | 1 | 12 540 | Spring | |
| 38 | 1 | 814 522 | Spring | |
| 39 | 2 | 820 014 | Screw | |
| 40 | 1 | 21 524 | Bracket | |
| 41 | 1 | 13 794 | Gear | |
| 42 | 4 | 824 033 | Screw | |
| | | 40 286 | Spool holder, compl. | Black |
| | | | | Please note! Parts assortment for this type of spool holder is now reduced. Parts not specified above are not available any more. |

Magazine A16 (Serial No. 31EP12395 - forwards), **A32**

| Pos No. | Pcs | Spare Part No. | Description | Remark |
|---------|-----|----------------|------------------------|-------------------------|
| 1 | 1 | 22 398 | Take-up arm | Please state serial No. |
| 2 | 1 | 313 101 | Plate | |
| 3 | 2 | 13 514 | Roller | |
| 4 | 1 | 14 261 | Number plate | |
| 5 | 1 | 308 504 | Name plate | |
| 6 | 1 | 815 608 | Spring | |
| 7 | 1 | 40 318 | Plunger | |
| 8 | 1 | 22 406 | Roller | |
| 9 | 1 | 822 438 | Screw | |
| 10 | 1 | 810 778 | Washer | |
| 11 | 1 | 815 512 | Spring | 0.1 mm |
| 12 | 1 | 308 358 | Coupling | |
| 13 | 1 | 308 506 | Washer | |
| 14 | 2 | 12 273 | Journal | |
| 15 | 1 | 309 403 | Film guide | |
| 16 | 1 | 12 267 | Spring | |
| 17 | 1 | 821060 | Screw | |
| 18 | 1 | 308 101 | Lock | |
| 19 | 1 | 13 792 | Plate | |
| 20 | 1 | 13 791 | Window | |
| 21 | 1 | 22 382 | Film signal | 0.2 mm |
| 22 | 1 | 817 140 | Clip | |
| 23 | 1 | 308 410 | Felt ring | |
| 24 | 1 | 810 925 | Washer | |
| | 1 | 810 928 | Washer | |
| | 1 | 810 933 | Washer | |
| 25 | 1 | 313 322 | End plate | |
| 26 | 1 | 309 506 | Intermed. part | |
| 27 | 1 | 308 345 | Film guide | |
| 28 | 1 | 309 102 | Pressure plate | |
| 29 | 1 | 13 913 | Spring | 0.5 mm |
| 30 | 2 | 820 014 | Screw | |
| 31 | 1 | 22 379 | Bracket | |
| 32 | 1 | 816 616 | Spring | |
| 33 | 1 | 22 375 | Gear | |
| 34 | 1 | 308 408 | Spool center | |
| 35 | 1 | 822 433 | Screw | |
| 36 | 1 | 817 289 | Clip | |
| 37 | 1 | 308 356 | Plunger | |
| 38 | 1 | 12 540 | Spring | |
| 39 | 1 | 814 952 | Spring | chrome |
| 40 | 1 | 308 103 | Locking shaft | |
| 41 | 4 | 824 033 | Screw | |
| 42 | 1 | 308 522 | Sealing cord | |
| | | 309 022 | Spool holder, complete | |
| | | 309 023 | Spool holder, complete | |

Magazine A16 Serial (No. 31EP12395 - forwards)

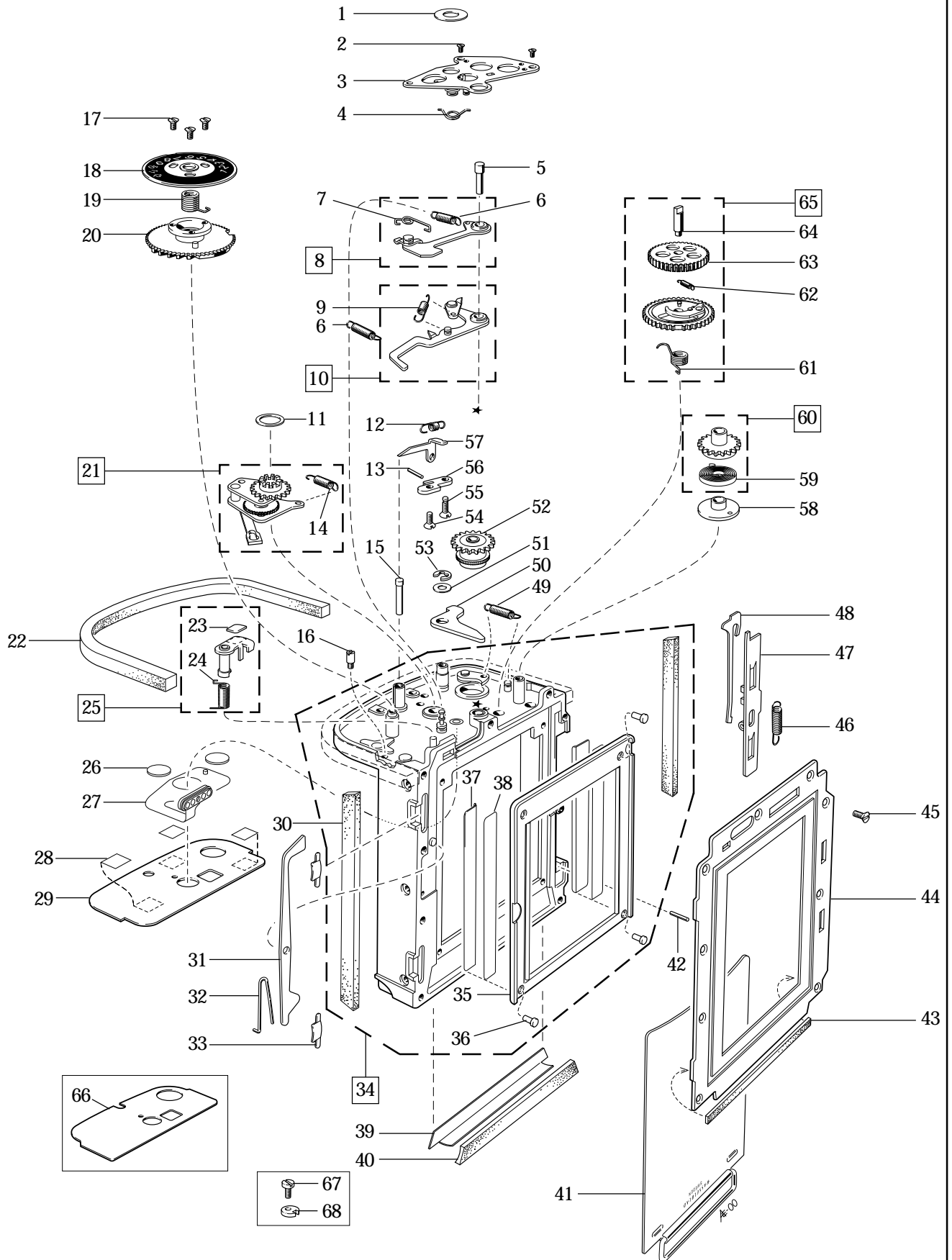


• = Loctite 243

Magazine A16 (Serial No. 31EP12395 - forwards)

| Pos No. | Pcs | Spare Part No. | Description | Remark |
|---------|-----|----------------|-------------|---|
| 1 | 1 | 12 289 | Leather | |
| 2 | 4 | 823 435 | Screw | |
| 3 | 1 | 22 762 | Cover | Chrome |
| | 1 | 22 764 | Cover | Black |
| 4 | 4 | 823 450 | Screw | |
| | 4 | 823 650 | Screw | Serial No. 31ET10171 - fwd please see Service Info 10/96 |

Magazine A12/16/24TCC, E12/16/24, E12CC



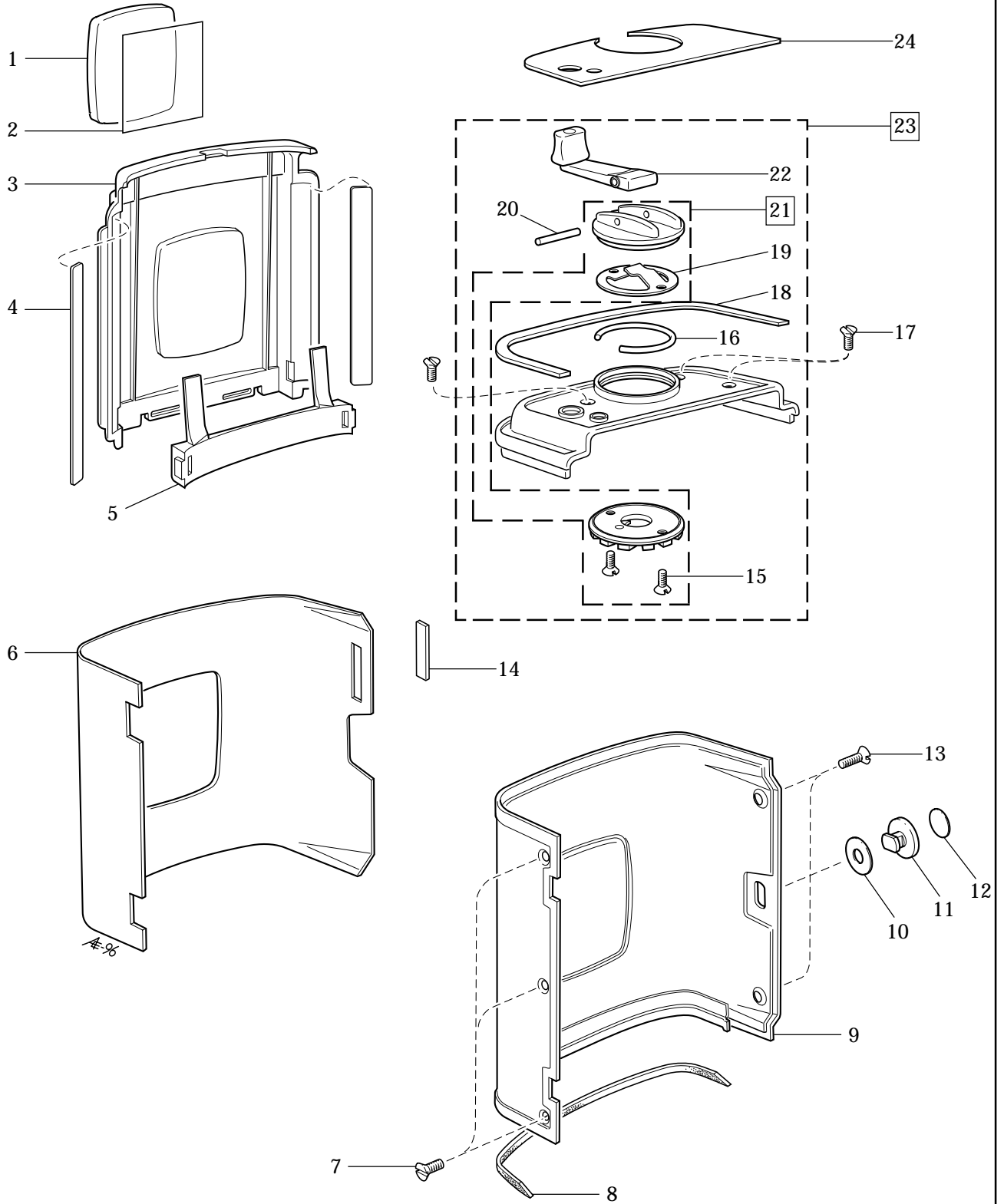
Magazine A12/A16/A24TCC, E12/16/24, E12CC

| Pos No. | Pcs | Spare Part No. | Description | Remark |
|----------------|------------|-----------------------|--------------------|---------------------------------|
| 1 | 1 | 810 927 | Washer | |
| 2 | 2 | 823 012 | Screw | |
| 3 | 1 | 308 485 | Plate | |
| 4 | 1 | 816 505 | Spring | |
| 5 | 1 | 12 819 | Shaft | |
| 6 | 2 | 814 527 | Spring | |
| 7 | 1 | 816 502 | Spring | |
| 8 | 1 | 22 715 | Arm | |
| 9 | 1 | 814 508 | Spring | |
| 10 | 1 | 22 277 | Release arm | 12, 16 |
| | 1 | 22 315 | Release arm | 24 |
| 11 | 1 | 810 926 | Washer | |
| 12 | 1 | 814 852 | Spring | |
| 13 | 1 | 812 005 | Pin | |
| 14 | 1 | 814 803 | Spring | |
| 15 | 1 | 13 754 | Pin | |
| 16 | 1 | 822 065 | Stop screw | 12, 24 |
| 17 | 3 | 824 202 | Screw | |
| 18 | 1 | 13 806 | Dial | 12 |
| | 1 | 13 849 | Dial | 16 |
| | 1 | 13 819 | Dial | 24 |
| 19 | 1 | 816 611 | Spring | |
| 20 | 1 | 22 371 | Spacing gear | 12 |
| | 1 | 21 583 | Spacing gear | 16 |
| | 1 | 22 841 | Spacing gear | E16, Serial No. 37ET10301 - fwd |
| | 1 | 21 484 | Spacing gear | 24 |
| 21 | 1 | 21 548 | Center mechanism | 12, 16 |
| | 1 | 21 483 | Center mechanism | 24 |
| 22 | 1 | 22 716 | Light seal | |
| 23 | 1 | 22 745 | Tape | |
| 24 | 1 | 816 509 | Spring | |
| 25 | 1 | 13 031 | Signal | |
| 26 | 2 | 308 496 | Tape washer | |
| 27 | 1 | 308 044 | Contact flex | |
| 28 | 3 | 308 488 | Tape Washer | |
| 29 | 1 | 22 747 | Cover | |
| 30 | 2 | 14 309 | Light seal | |
| 31 | 1 | 21 535 | Exposure lock | |
| 32 | 1 | 13 820 | Spring | |
| 33 | 2 | 13 821 | Plate spring | |
| 34 | 1 | 308 364 | Magazine support | 12, 24 |
| | 1 | 309 344 | Magazine support | 16 |
| 35 | 1 | 22 710 | Picture frame | 12, 24 |
| | 1 | 22 712 | Picture frame | 16 |
| 36 | 4 | 833 105 | Rivet | |
| 37 | 2 | 309 407 | Light seal | 16 |
| 38 | 2 | 309 408 | Tape | 16 |
| 39 | 1 | 13 508 | Foil | |
| 40 | 1 | 13 067 | Light trap | |
| 41 | 1 | Z41 068 | Magazine slide | |
| 42 | 1 | 812 107 | Pin | |
| 43 | 1 | 12 295 | Ribbon | |

Magazine A12/A16/A24TCC, E12/16/24, E12CC

| Pos No. | Pcs | Spare Part No. | Description | Remark |
|----------------|------------|-----------------------|--------------------|--|
| 44 | 1 | 308 321 | Outer plate | Please state serial No. Previous type outer plate please see Service Info 6/93 |
| | 1 | 308 106 | Outer plate | |
| 45 | 9 | 823 015 | Screw | |
| 46 | 1 | 814 752 | Spring | |
| 47 | 1 | 20 843 | Locking arm | |
| 48 | 1 | 20 684 | Locking spring | |
| 49 | 1 | 814 307 | Spring | |
| 50 | 1 | 20 717 | Return stop | |
| 51 | 1 | 810 802 | Washer | |
| 52 | 1 | 12 209 | Gear | |
| 53 | 1 | 817 132 | Clip | |
| 54 | 1 | 823 012 | Screw | |
| 55 | 1 | 824 060 | Screw | |
| 56 | 1 | 21 568 | Bracket | |
| 57 | 1 | 21 494 | Link | |
| 58 | 1 | 14 185 | Hub | |
| 59 | 1 | 14 184 | Spring | |
| 60 | 1 | 13 030 | Spring housing | |
| 61 | 1 | 816 707 | Spring | |
| 62 | 1 | 814 303 | Spring | |
| 63 | 1 | 12 215 | Gear | |
| 64 | 1 | 308 426 | Shaft | |
| 65 | 1 | 308 109 | Gear assembly | 12 |
| | 1 | 309 103 | Gear assembly | 16 |
| | 1 | 311 101 | Gear assembly | 24 |
| 66 | 1 | 308 402 | Cover | Previous type cover |
| 67 | 1 | 820 013 | Screw | 16 |
| 68 | 1 | 22 171 | Eccentric | 16 |

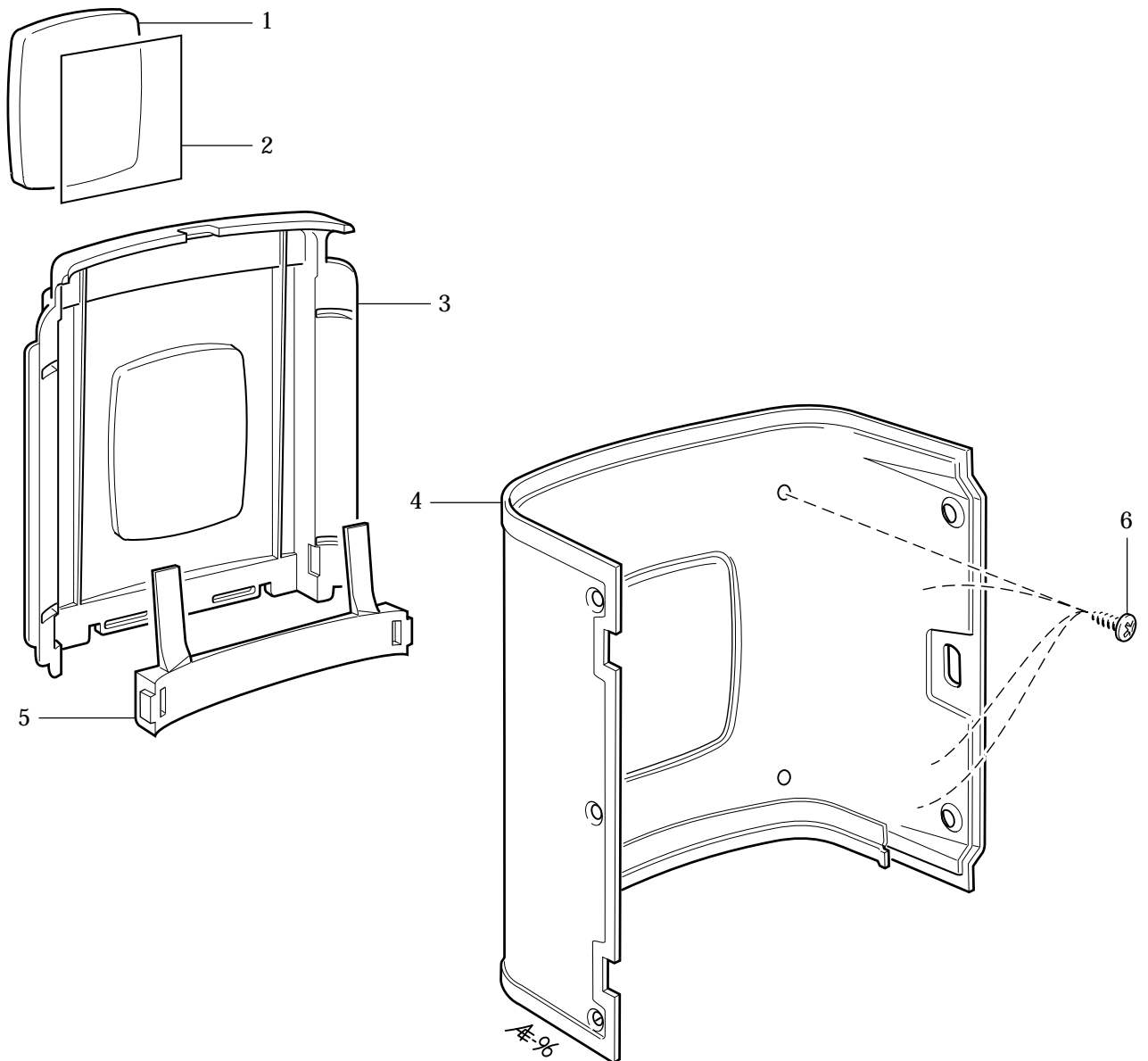
Magazine E12, E16, E24, E12CC



Magazine E12, E16, E24, E12CC

| Pos No. | Pcs | Spare Part No. | Description | Remark |
|----------------|------------|-----------------------|-----------------------|------------------------------------|
| 1 | 1 | 308 328 | Film indicator | |
| 2 | 1 | 308 507 | Tape | |
| 3 | 1 | 308 366 | Dark slide holder | |
| 4 | 2 | 308 487 | Tape | |
| 5 | 1 | 308 400 | Support | |
| 6 | 1 | 30 312 | Leather | |
| 7 | 3 | 823 013 | Screw | |
| 8 | 1 | 22 409 | Light seal | |
| 9 | 1 | 308 023 | Shell | Chrome |
| | 1 | 308 024 | Shell | Black |
| 10 | 1 | 810 761 | Teflon washer | |
| 11 | 1 | 22 356 | Button | |
| 12 | 1 | 22 404 | Leather | |
| 13 | 2 | 823 017 | Screw | |
| 14 | 1 | 308 489 | Name plate | E12 |
| | 1 | 309 406 | Name plate | E16 |
| | 1 | 311 406 | Name plate | E24 |
| | 1 | 308 540 | Name plate | E12CC |
| 15 | 2 | 823 015 | Screw | |
| 16 | 1 | 13 827 | Tube | |
| 17 | 3 | 823 012 | Screw | |
| 18 | 1 | 12 290 | Leather | |
| 19 | 1 | 13 826 | Spring | |
| 20 | 1 | 812 207 | Pin | |
| 21 | 1 | 21 572-2 | Crank mounting | |
| 22 | 1 | 13 810-1 | Handle | |
| 23 | 1 | 30 483 | Cover right, complete | E12, E12CC |
| | 1 | 30 639 | Cover right, complete | E12, E12CC |
| | 1 | 30 499 | Cover right, complete | E16, E24 |
| | 1 | 30 640 | Cover right, complete | E16, E24 |
| 24 | 1 | 308 411 | Leather | chrome black chrome black |

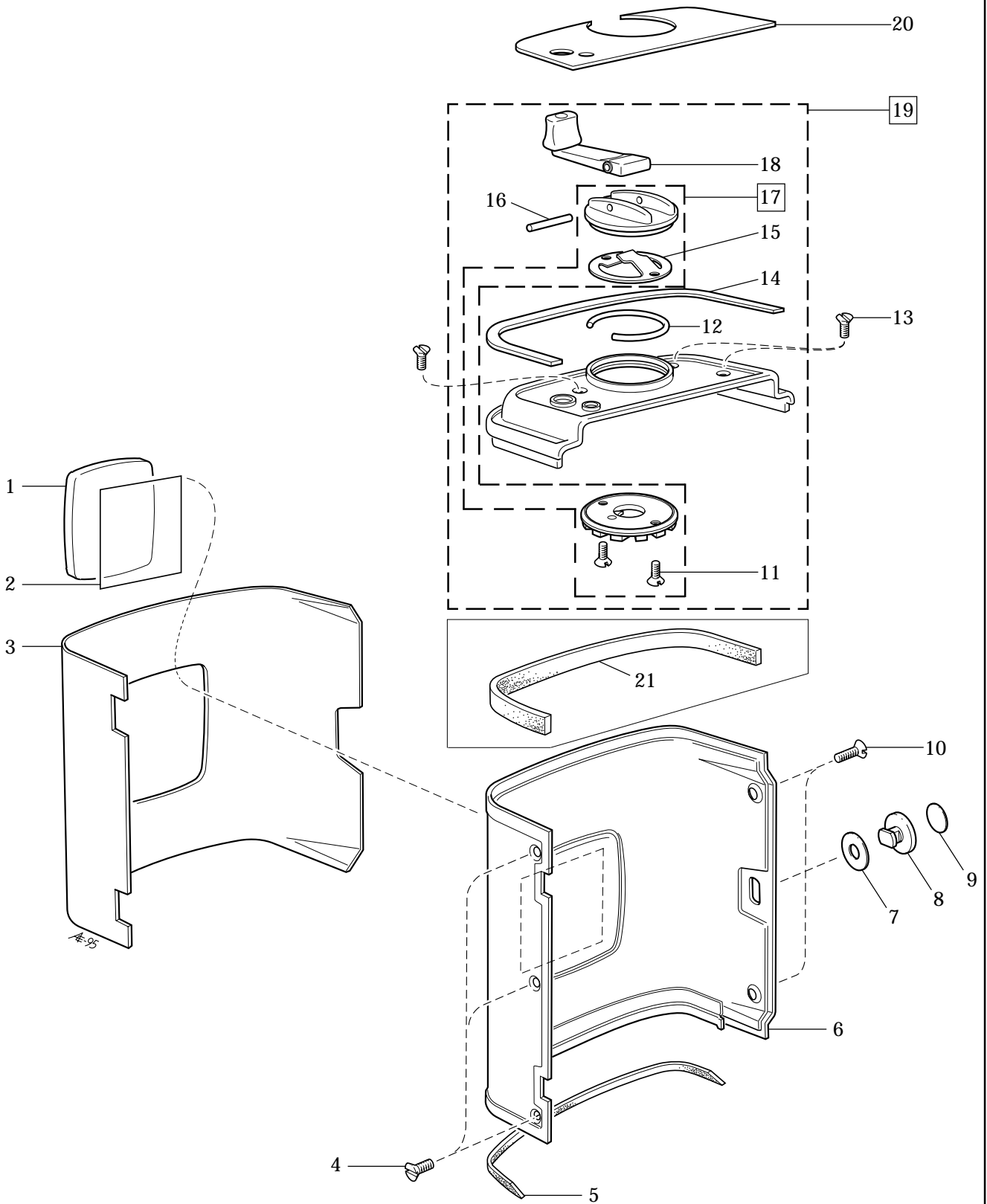
Magazine E12, E16, E24, E12CC (Modified 1996)



Magazine E12, E16, E24, E12CC (Modified 1996)

| Pos No. | Pcs | Spare Part No. | Description | Remark |
|----------------|------------|-----------------------|--------------------|---------------|
| 1 | 1 | 308 328 | Film indicator | |
| 2 | 1 | 308 507 | Tape | |
| 3 | 1 | 308 536 | Dark slide holder | |
| 4 | 1 | 308 015 | Shell | Chrome |
| | 1 | 308 016 | Shell | Black |
| 5 | 1 | 308 400 | Support | |
| 6 | 4 | 826 038 | Screw | |

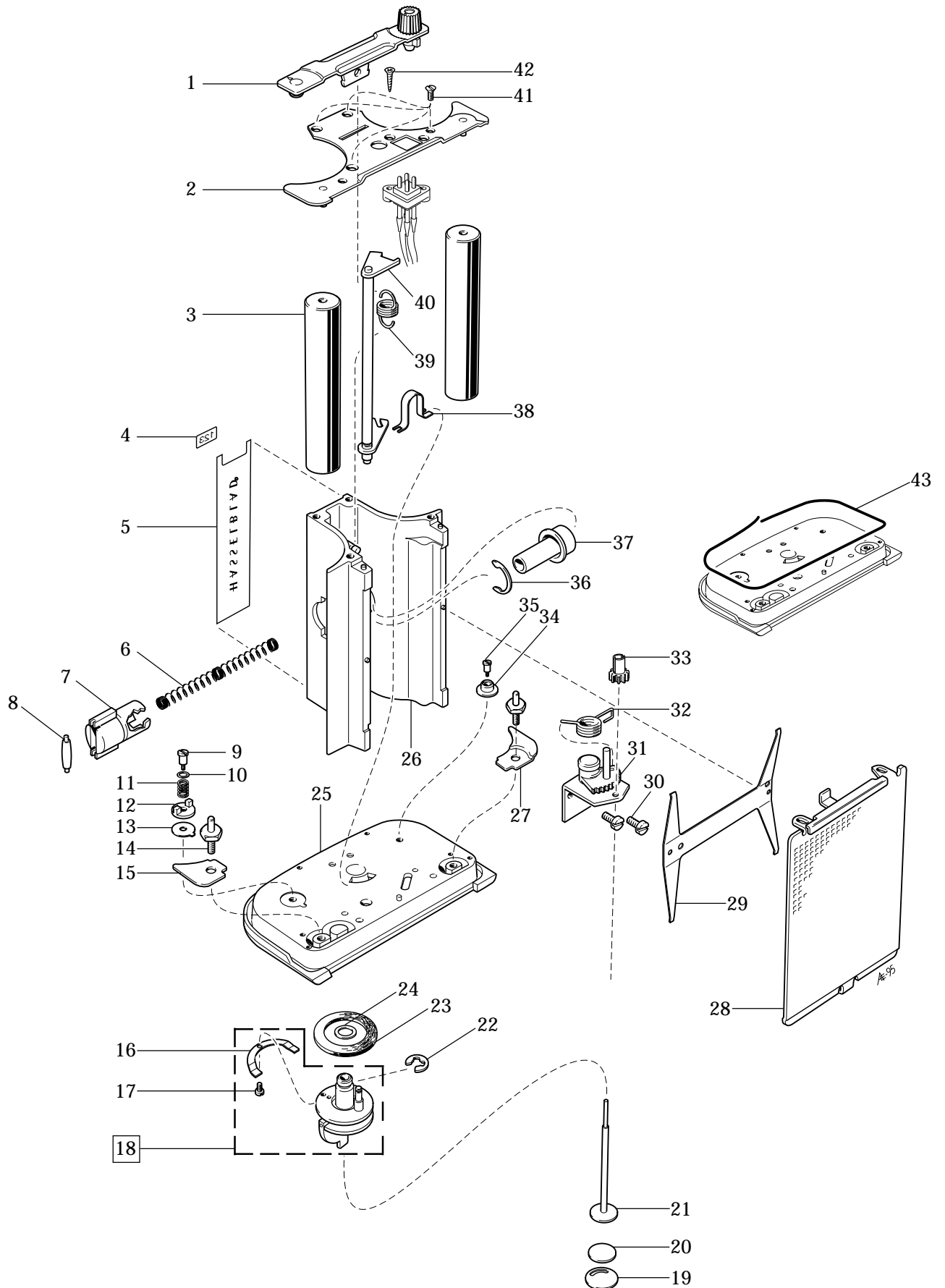
Magazine A12TCC, A16TCC, A24TCC



Magazine A12TCC, A16TCC, A24TCC

| Pos No. | Pcs | Spare Part No. | Description | Remark |
|---------|-----|----------------|-----------------------|--------------------------|
| 1 | 1 | 308 328 | Film indicator | |
| 2 | 1 | 308 507 | Tape | |
| 3 | 1 | 21 537 | Leather | |
| 4 | 3 | 823 013 | Screw | |
| 5 | 1 | 22 409 | Light seal | |
| 6 | 1 | 308 023 | Shell | Chrome |
| | 1 | 308 024 | Shell | Black |
| 7 | 1 | 810 761 | Teflon washer | |
| 8 | 1 | 22 356 | Button | |
| 9 | 1 | 22 440 | Sign plate | A12 |
| | 1 | 22 438 | Sign plate | A16 |
| | 1 | 22 441 | Sign plate | A24 |
| 10 | 2 | 823 017 | Screw | |
| 11 | 2 | 823 015 | Screw | |
| 12 | 1 | 13 827 | Tube | |
| 13 | 3 | 823 012 | Screw | |
| 14 | 1 | 12 290 | Leather | |
| 15 | 1 | 13 826 | Spring | |
| 16 | 1 | 812 207 | Pin | |
| 17 | 1 | 21 572-2 | Crank mounting | |
| 18 | 1 | 13 810-1 | Handle | |
| 19 | 1 | 30 483 | Cover right, complete | A12 chrome |
| | 1 | 30 639 | Cover right, complete | A12 black |
| | 1 | 30 499 | Cover right, complete | A16, A24 chrome |
| | 1 | 30 640 | Cover right, complete | A16, A24 black |
| 20 | 1 | 308 411 | Leather | |
| 21 | 1 | 12 942 | Light seal | Previous type Light seal |

Magazine A12/A16/A24TCC, E12/16/24
E12CC



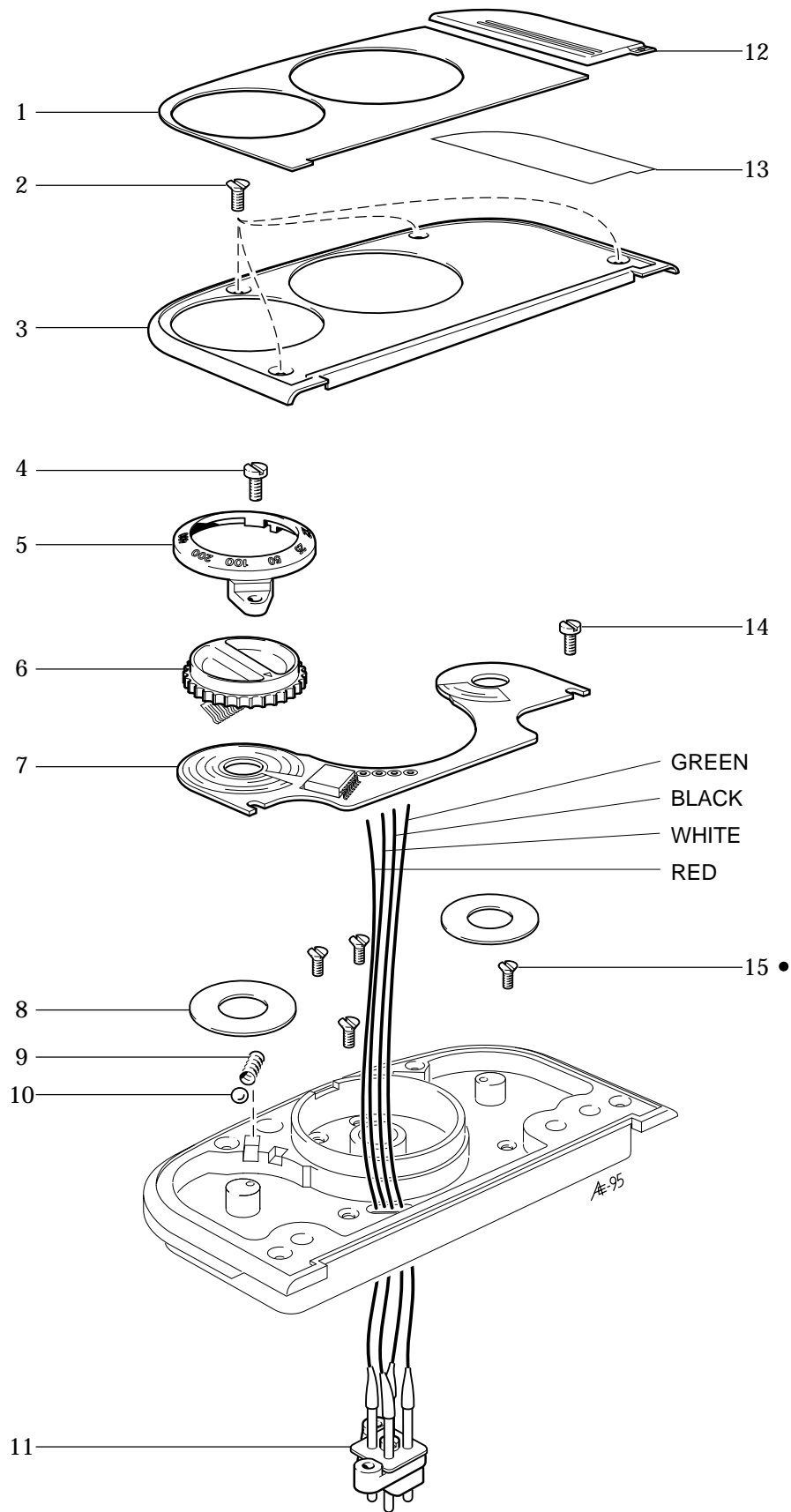
Magazine A12/A16/A24TCC, E12/16/24, E12CC

| Pos No. | Pcs | Spare Part No. | Description | Remark |
|----------------|------------|-----------------------|--------------------|-------------------------|
| 1 | 1 | 22 398 | Take-up arm | |
| 2 | 1 | 312 105 | Plate | 12, 24 |
| | 1 | 313 101 | Plate | 16 |
| 3 | 2 | 13 514 | Roller | |
| 4 | 1 | 14 261 | Number plate | Please state serial No. |
| 5 | 1 | 308 504 | Name plate | |
| 6 | 1 | 815 608 | Spring | |
| 7 | 1 | 40 318 | Plunger | |
| 8 | 1 | 22 406 | Roller | |
| 9 | 1 | 822 438 | Screw | |
| 10 | 1 | 810 778 | Washer | |
| 11 | 1 | 815 512 | Spring | |
| 12 | 1 | 308 358 | Coupling | |
| 13 | 1 | 308 506 | Washer | |
| 14 | 2 | 12 273 | Journal | |
| 15 | 1 | 308 346 | Film guide | 12, 24 |
| | 1 | 309 403 | Film guide | 16 |
| 16 | 1 | 12 267 | Spring | |
| 17 | 1 | 821 060 | Screw | |
| 18 | 1 | 308 101 | Lock | |
| 19 | 1 | 13 792 | Plate | |
| 20 | 1 | 13 791 | Window | |
| 21 | 1 | 22 382 | Film signal | |
| 22 | 1 | 817 140 | Clip | |
| 23 | 1 | 308 410 | Felt ring | |
| 24 | 1 | 810 925 | Washer | 0.1 mm |
| | 1 | 810 928 | Washer | 0.2 mm |
| | 1 | 810 933 | Washer | 0.5 mm |
| 25 | 1 | 312 323 | End plate | 12, 24 |
| | 1 | 313 322 | End plate | 16 |
| 26 | 1 | 308 516 | Intermed. part | 12, 24 |
| | 1 | 309 506 | Intermed. part | 16 |
| 27 | 1 | 308 345 | Film guide | |
| 28 | 1 | 308 104 | Pressure plate | 12, 24 |
| | 1 | 309 102 | Pressure plate | 16 |
| 29 | 1 | 13 913 | Spring | |
| 30 | 2 | 820 014 | Screw | |
| 31 | 1 | 22 379 | Bracket | |
| 32 | 1 | 816 616 | Spring | |
| 33 | 1 | 22 375 | Gear | |
| 34 | 1 | 308 408 | Spool center | |
| 35 | 1 | 822 433 | Screw | |
| 36 | 1 | 817 289 | Clip | |
| 37 | 1 | 308 356 | Plunger | |
| 38 | 1 | 12 540 | Spring | |
| 39 | 1 | 814 952 | Spring | |
| 40 | 1 | 308 103 | Locking shaft | |
| 41 | 4 | 824 033 | Screw | |
| 42 | 2 | 826 040 | Screw | |
| 43 | 1 | 308 522 | Sealing cord | |

Magazine A12/A16/A24TCC, E12/16/24, E12CC

| Pos No. | Pcs | Spare Part No. | Description | Remark |
|---------|-----|----------------|-----------------------|------------------------|
| | | 308 111 | Spool holder complete | 12/24TCC, E12CC chrome |
| | | 308 112 | Spool holder complete | 12/24TCC, E12CC black |
| | | 309 111 | Spool holder complete | 16TCC chrome |
| | | 309 112 | Spool holder complete | 16TCC black |
| | | 308 025 | Spool holder complete | E12, E24 chrome |
| | | 308 026 | Spool holder complete | E12, E24 black |
| | | 309 024 | Spool holder complete | E16 chrome |
| | | 309 025 | Spool holder complete | E16 black |

Magazine E12, E16, E24

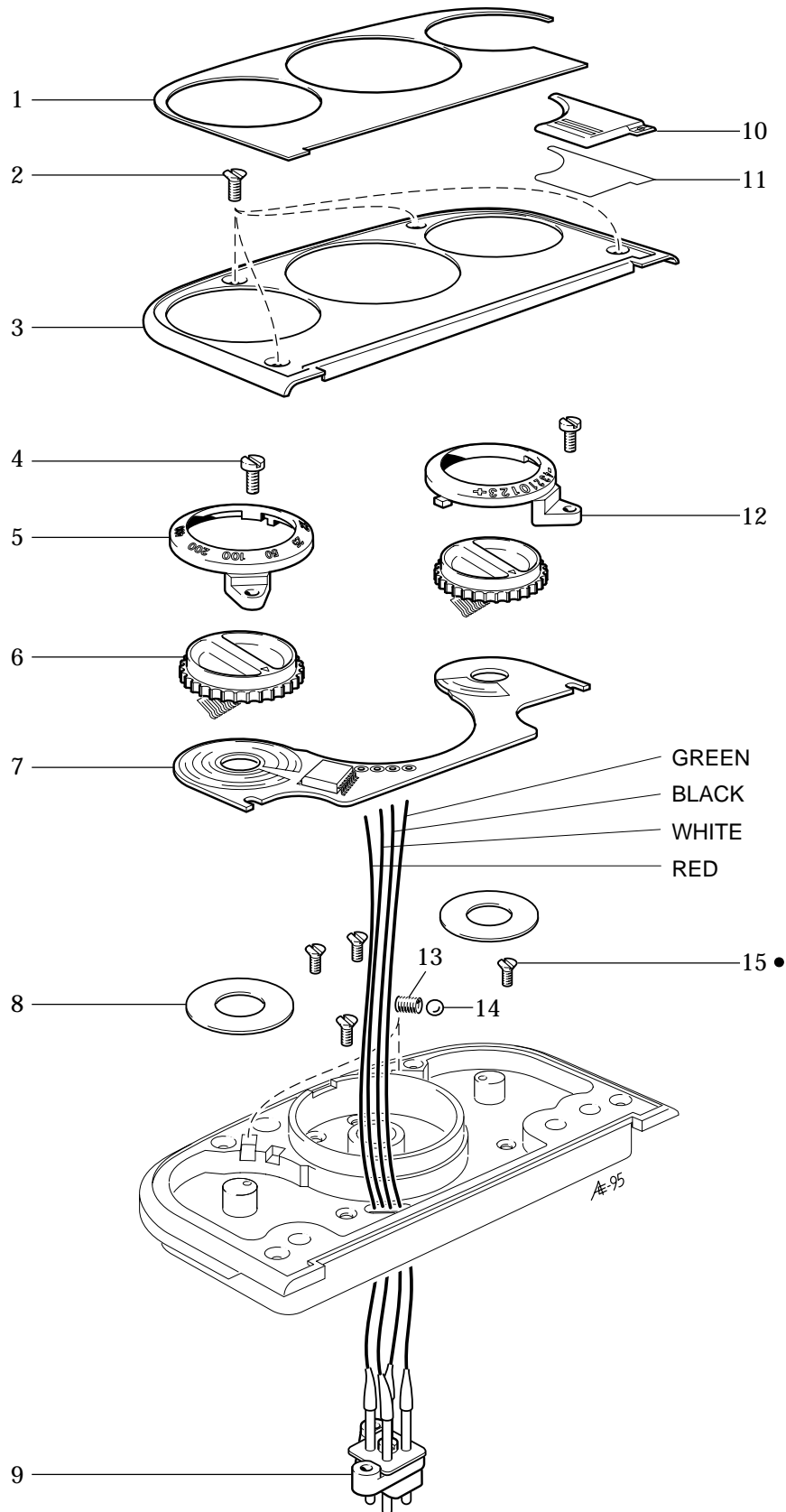


• = Loctite 243

H A S S E L B L A D
Magazine E12, E16, E24

| Pos No. | Pcs | Spare Part No. | Description | Remark |
|---------|-----|----------------|------------------|--|
| 1 | 1 | 308 521 | Leather | Chrome Black |
| 2 | 4 | 823 435 | Screw | |
| 3 | 1 | 308 519 | Cover | |
| | 1 | 308 520 | Cover | |
| 4 | 1 | 820 445 | Screw | |
| 5 | 1 | 308 347 | ISO indicator | |
| 6 | 1 | 308 107 | Dial | |
| 7 | 1 | 308 524 | Circuit board | |
| 8 | 2 | 308 495 | Tape | |
| 9 | 1 | 815 604 | Spring | |
| 10 | 1 | 809 020 | Steel ball | |
| 11 | 1 | 308 043 | Contact assembly | |
| 12 | 1 | 308 368 | Rubber plate | |
| 13 | 1 | 308 523 | Tape | |
| 14 | 1 | 820 425 | Screw | |
| 15 | 4 | 823 450 | Screw | E12, Serial No. 36ET10461 - fwd E16, Serial No. 37ET10172 - fwd E24, Serial No. 38ET10201 - fwd please see Service Info 10/96 |
| | 4 | 823 650 | Screw | |

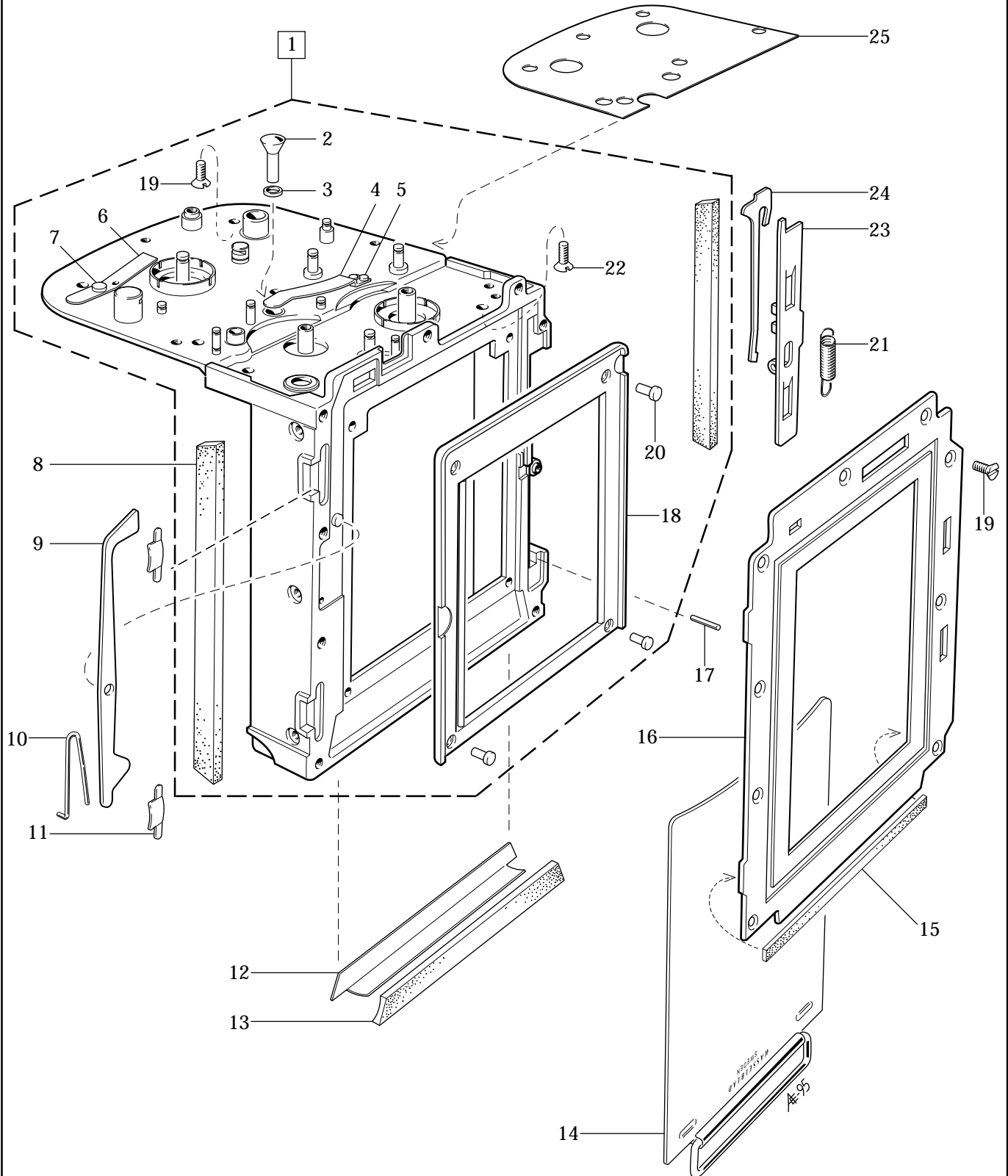
Magazine A12TCC, A16TCC, A24TCC
E12CC



• = Loctite 243

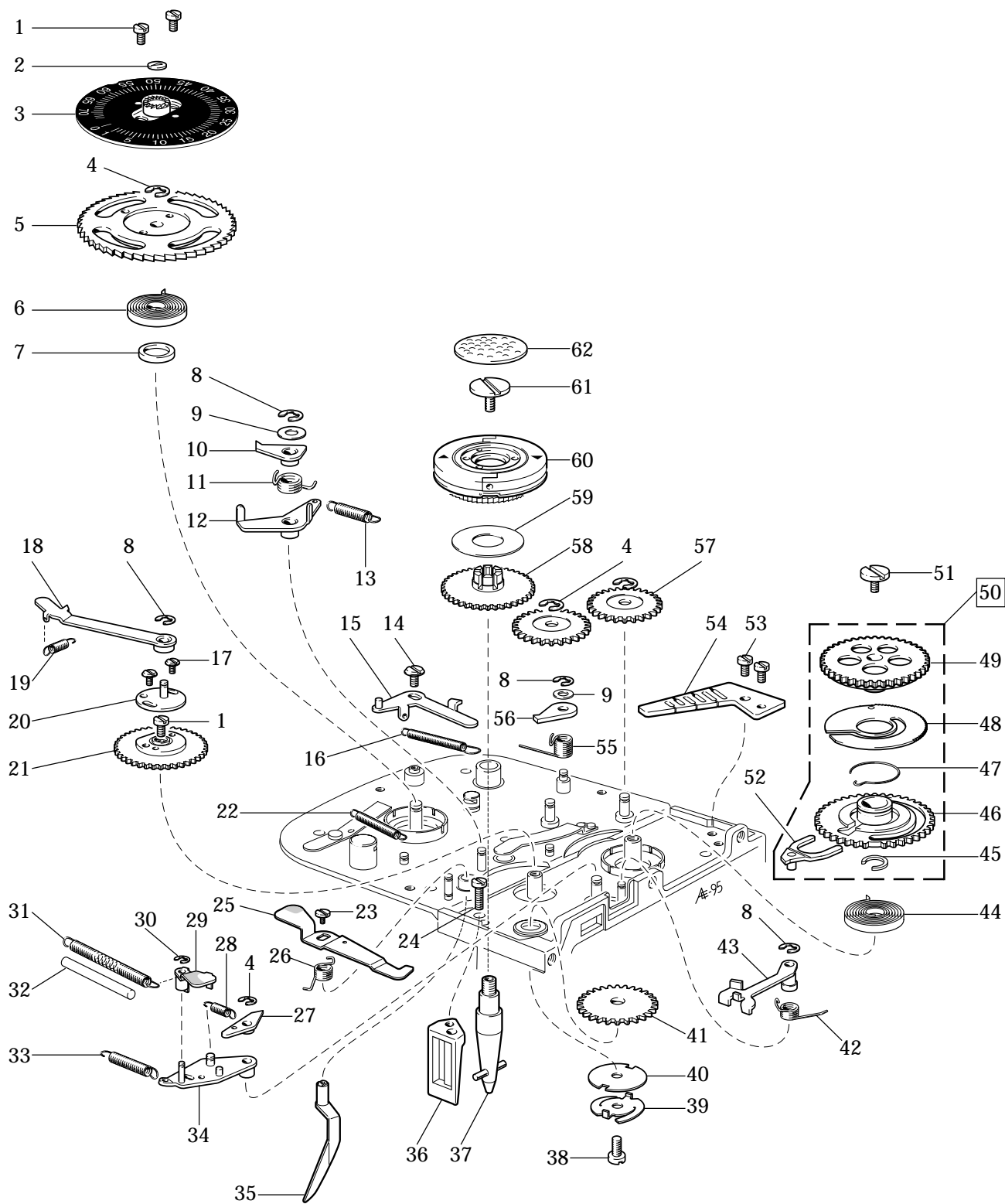
Magazine A12TCC, A16TCC, A24TCC, E12CC

| Pos No. | Pcs | Spare Part No. | Description | Remark |
|---------|-----|----------------|------------------|--|
| 1 | 1 | 308 403 | Leather | Chrome Black |
| 2 | 4 | 823 435 | Screw | |
| 3 | 1 | 308 431 | Cover | |
| | 1 | 308 432 | Cover | |
| 4 | 2 | 820 445 | Screw | |
| 5 | 1 | 308 347 | ISO indicator | |
| 6 | 2 | 308 107 | Dial | |
| 7 | 1 | 308 460 | Circuit board | |
| 8 | 2 | 308 495 | Tape | |
| 9 | 1 | 308 043 | Contact assembly | |
| 10 | 1 | 309 343 | Rubber plate | |
| 11 | 1 | 308 492 | Tape | |
| 12 | 1 | 308 348 | Indicator | |
| 13 | 2 | 815 604 | Spring | |
| 14 | 2 | 809 020 | Steel ball | |
| 15 | 4 | 823 450 | Screw | E12CC, Serial No. 35ET10001 - fwd please see Service Info 10/96 |
| | 4 | 823 650 | Screw | |



Magazin 70

| Pos No. | Pcs | Spare Part No. | Description | Remark |
|---------|-----|----------------|------------------|---|
| 1 | 1 | 30 759 | Magazine support | Previous type magazine support please see Service Info 6/93. |
| | 1 | 30 510 | Magazine support | |
| 2 | 1 | 13 686 | Zero button | Please state serial No. Previous type outer plate please see Service Info 6/93. |
| 3 | 1 | 810 611 | Washer | |
| 4 | 1 | 21 413 | Plate spring | |
| 5 | 2 | 831 305 | Rivet | |
| 6 | 1 | 21 414 | Return stop | |
| 7 | 1 | 835 325 | Pin | |
| 8 | 2 | 14 309 | Light seal | |
| 9 | 1 | 21 535 | Exposure lock | |
| 10 | 1 | 13 820 | Spring | |
| 11 | 2 | 13 821 | Plate spring | |
| 12 | 1 | 13 508 | Foil | |
| 13 | 1 | 13 067 | Light trap | |
| 14 | 1 | Z410 68 | Magazine slide | |
| 15 | 1 | 12 295 | Ribbon | |
| 16 | 1 | 40 212 | Outer plate | |
| | 1 | 13 911 | Outer plate | |
| 17 | 1 | 812 107 | Pin | |
| 18 | 1 | 22 710 | Picture frame | |
| 19 | 13 | 823 015 | Screw | |
| 20 | 4 | 833 105 | Rivet | |
| 21 | 1 | 814 752 | Spring | |
| 22 | 1 | 823 017 | Screw | |
| 23 | 1 | 20 843 | Locking arm | |
| 24 | 1 | 20 684 | Locking spring | |
| 25 | 1 | 30 676 | Cover | |



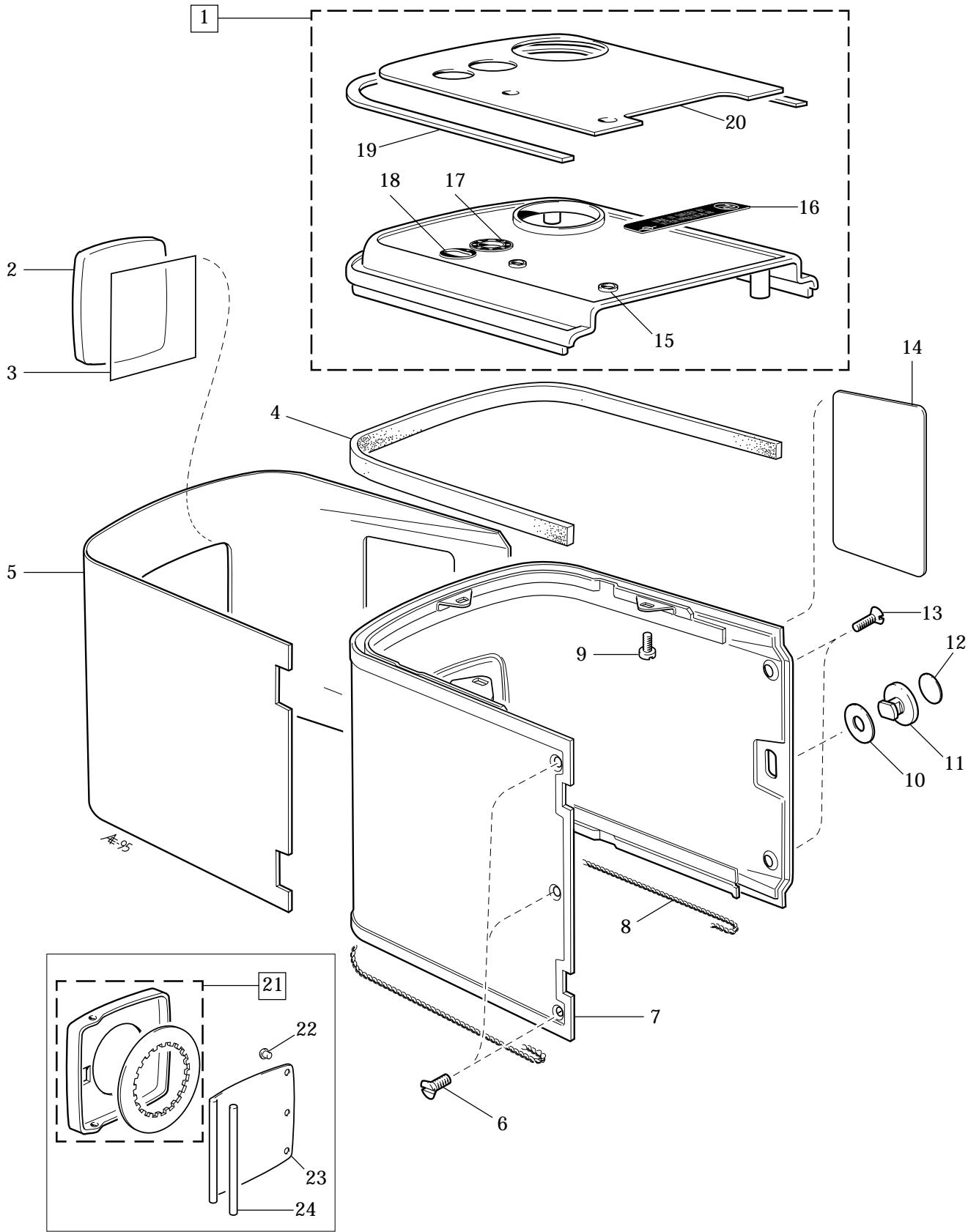
Magazine 70

| Pos No. | Pcs | Spare Part No. | Description | Remark |
|---------|-----|----------------|-----------------|--------|
| 1 | 3 | 821 004 | Screw | |
| 2 | 1 | 13 868 | Name plate | |
| 3 | 1 | 13 670 | Number disc | |
| 4 | 4 | 817 119 | Clip | |
| 5 | 1 | 13 669 | Counter wheel | |
| 6 | 1 | 21 407 | Coil spring | |
| 7 | 1 | 810 903 | Washer | |
| 8 | 4 | 817 115 | Clip | |
| 9 | 2 | 810 506 | Washer | |
| 10 | 1 | 13 679 | Pawl | |
| 11 | 1 | 816 708 | Spring | |
| 12 | 1 | 13 672 | Zero-lever | |
| 13 | 1 | 814 307 | Spring | |
| 14 | 1 | 821 035 | Screw | |
| 15 | 1 | 13 671 | Catch | |
| 16 | 1 | 814 518 | Spring | |
| 17 | 2 | 821 205 | Screw | |
| 18 | 1 | 13 673 | Arm | |
| 19 | 1 | 814 507 | Spring | |
| 20 | 1 | 13 666 | Cam | |
| 21 | 1 | 13 665 | Gear | |
| 22 | 1 | 814 309 | Spring | |
| 23 | 1 | 821 230 | Screw | |
| 24 | 1 | 820 020 | Screw | |
| 25 | 1 | 21 408 | Film signal | |
| 26 | 1 | 816 710 | Spring | |
| 27 | 1 | 13 676 | Catch | |
| 28 | 1 | 814 303 | Spring | |
| 29 | 1 | 13 677 | Exposure signal | |
| 30 | 1 | 817 112 | Clip | |
| 31 | 1 | 814 310 | Spring | |
| 32 | 1 | 812 208 | Pin | |
| 33 | 1 | 814 515 | Spring | |
| 34 | 1 | 13 675 | Cam plate | |
| 35 | 1 | 13 674 | Film feeler | |
| 36 | 1 | 21 409 | Film guide | |
| 37 | 1 | 13 668 | Film feeder | |
| 38 | 1 | 821 830 | Screw | |
| 39 | 1 | 21 434 | Spring | |
| 40 | 1 | 21 433 | Washer | |
| 41 | 1 | 21 400 | Gear | |
| 42 | 1 | 816 711 | Spring | |
| 43 | 1 | 13 678 | Signal catch | |
| 44 | 1 | 21 406 | Coil spring | |
| 45 | 1 | 13 700 | Clip | |
| 46 | 1 | 21 447 | Gear, lower | |
| 47 | 1 | 13 699 | Spring | |
| 48 | 1 | 13 681 | Cam disc | |
| 49 | 1 | 21 458 | Return coupling | |
| 50 | 1 | 21 532 | Gear, top | |
| 51 | 1 | 821 011 | Screw | |
| 52 | 1 | 13 682 | Catch | |
| 53 | 2 | 820 014 | Screw | |

Magazine 70

| Pos No. | Pcs | Spare Part No. | Description | Remark |
|----------------|------------|-----------------------|--------------------|---------------|
| 54 | 1 | 21 432 | Return stop | |
| 55 | 1 | 816 713 | Spring | |
| 56 | 1 | 13 687 | Catch | |
| 57 | 2 | 13 667 | Gear | |
| 58 | 1 | 21 403 | Gear | |
| 59 | 1 | 810 927 | Washer | |
| 60 | 1 | 21 457 | Handle | |
| 61 | 1 | 821 013 | Screw | |
| 62 | 1 | 12 288 | Leather | |

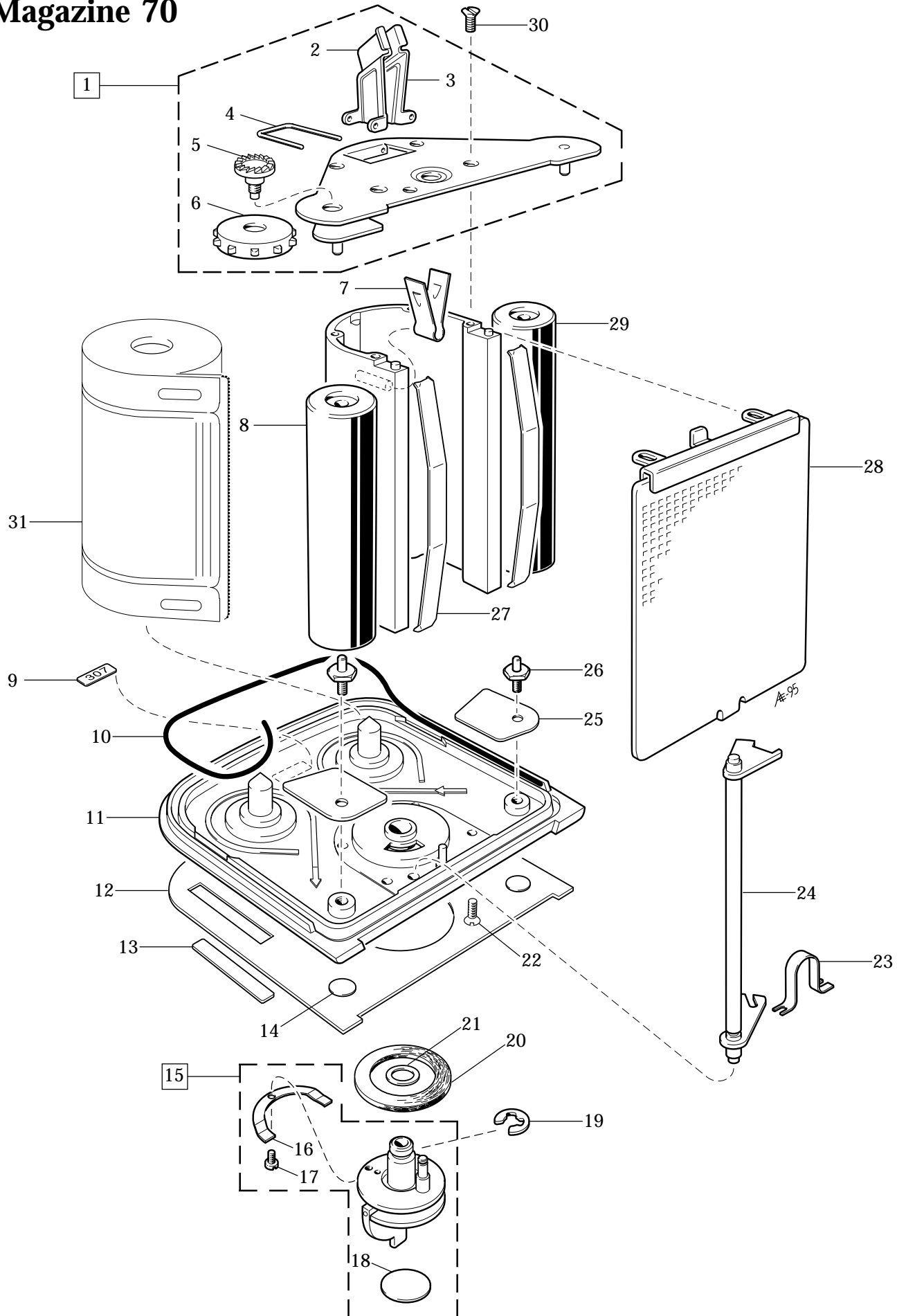
Magazine 70



Magazine 70

| Pos No. | Pcs | Spare Part No. | Description | Remark |
|---------|-----|----------------|-----------------------|------------------------------|
| 1 | 1 | 21 459 | Cover right, complete | Chrome Black |
| | 1 | 22 119 | Cover right, complete | |
| 2 | 1 | 308 328 | Film indicator | |
| 3 | 1 | 308 507 | Tape | |
| 4 | 1 | 12 942 | Light seal | |
| 5 | 1 | 30 459 | Leather | |
| 6 | 3 | 823 013 | Screw | |
| 7 | 1 | 50 115 | Magazine shell | Chrome Black |
| | 1 | 50 147 | Magazine shell | |
| 8 | 1 | 22 409 | Sealing cord | |
| 9 | 3 | 820 013 | Screw | |
| 10 | 1 | 810 761 | Teflon washer | |
| 11 | 1 | 22 356 | Button | |
| 12 | 1 | 22 442 | Sign plate | |
| 13 | 3 | 823 017 | Screw | |
| 14 | 1 | 21 410 | Memo tablet | |
| 15 | 2 | 12 492 | Window | |
| 16 | 1 | 13 702 | Name plate | |
| 17 | 1 | 21 420 | Ring | |
| 18 | 1 | 13 680 | Counter window | |
| 19 | 1 | 21 423 | Leather | |
| 20 | 1 | 21 422 | Leather | |
| 21 | 1 | 21 456 | Cover | Previous type film indicator |
| 22 | 3 | 832 203 | Rivet | |
| 23 | 1 | 21 418 | Plate spring | |
| 24 | 1 | 13 692 | Shaft | |

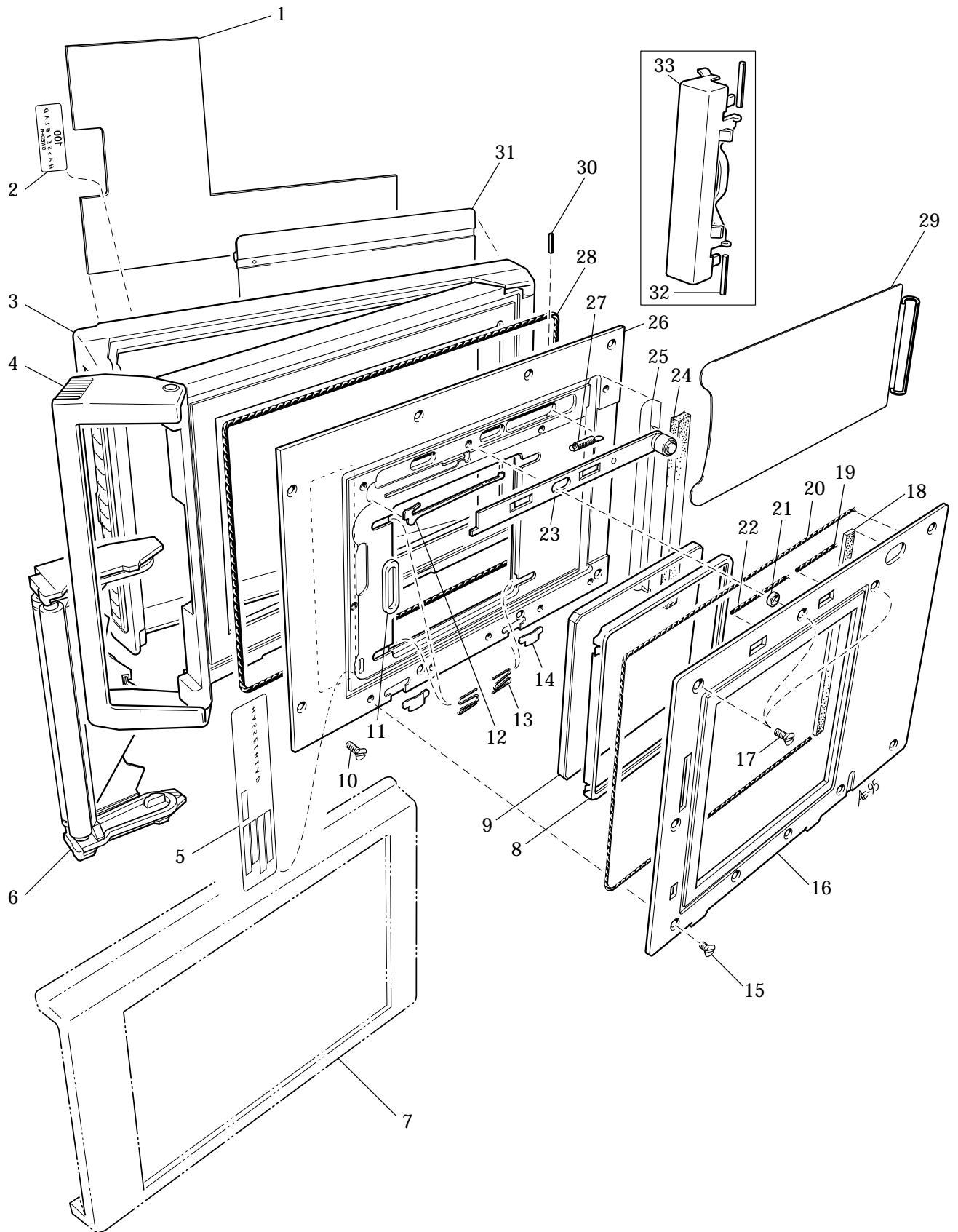
Magazine 70



Magazine 70

| Pos No. | Pcs | Spare Part No. | Description | Remark |
|---------|-----|----------------|---------------------------|----------------|
| 1 | 1 | 21 394 | Plate, compl. | |
| 2 | 1 | 21 375 | Holder | |
| 3 | 1 | 21 376 | Holder | |
| 4 | 1 | 13 650 | Fastening | |
| 5 | 1 | 21 378 | Coupling | |
| 6 | 1 | 21 377 | Tooth wheel | |
| 7 | 1 | 13 655 | Spring | |
| 8 | 1 | 13 660 | Roller, short | |
| 9 | 1 | 14 261 | Number plate | |
| 10 | 1 | 14 183-2 | Sealing cord | |
| 11 | 1 | 21 396 | Endplate + Intermed. part | Chrome |
| | 1 | 22 121 | Endplate + Intermed. part | Black |
| 12 | 1 | 21 387 | Leather | |
| 13 | 1 | 13 268 | Name plate | |
| 14 | 2 | 12 722-0.30 | Shim | |
| 15 | 1 | 12 728 | Lock | |
| 16 | 1 | 12 267 | Spring | |
| 17 | 1 | 821 060 | Screw | |
| 18 | 1 | 12 288 | Leather | |
| 19 | 1 | 817 140 | Clip | |
| 20 | 1 | 12 268 | Felt ring | |
| 21 | 1 | 810 925 | Washer | 0.1 mm |
| | 1 | 810 928 | Washer | 0.2 mm |
| | 1 | 810 933 | Washer | 0.5 mm |
| 22 | 5 | 824 611 | Screw | |
| 23 | 1 | 12 540 | Spring | |
| 24 | 1 | 13 662 | Locking shaft | |
| 25 | 2 | 21 389 | Film guide | |
| 26 | 2 | 12 273 | Journal | |
| 27 | 2 | 21 388 | Plate spring | |
| 28 | 1 | 13 659 | Pressure plate | |
| 29 | 2 | 13 661 | Roller, long | |
| 30 | 4 | 823 015 | Screw | |
| 31 | | | Film cassette | Code No. 51039 |
| | | 40 211 | Spool holder, compl. | Chrome |
| | | 40 282 | Spool holder, compl. | Black |

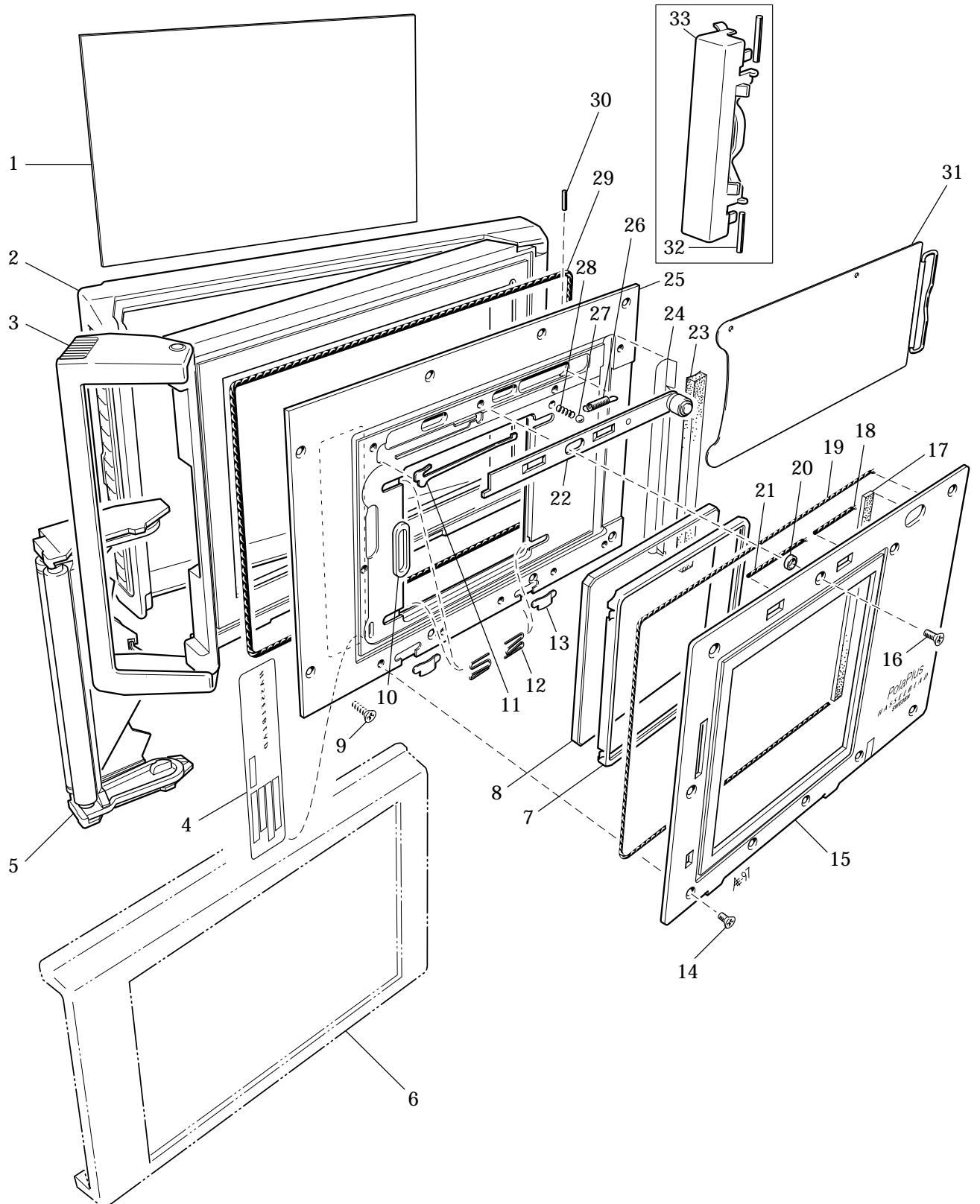
Magazine 100 for Polaroid film



Magazine 100 for Polaroid film

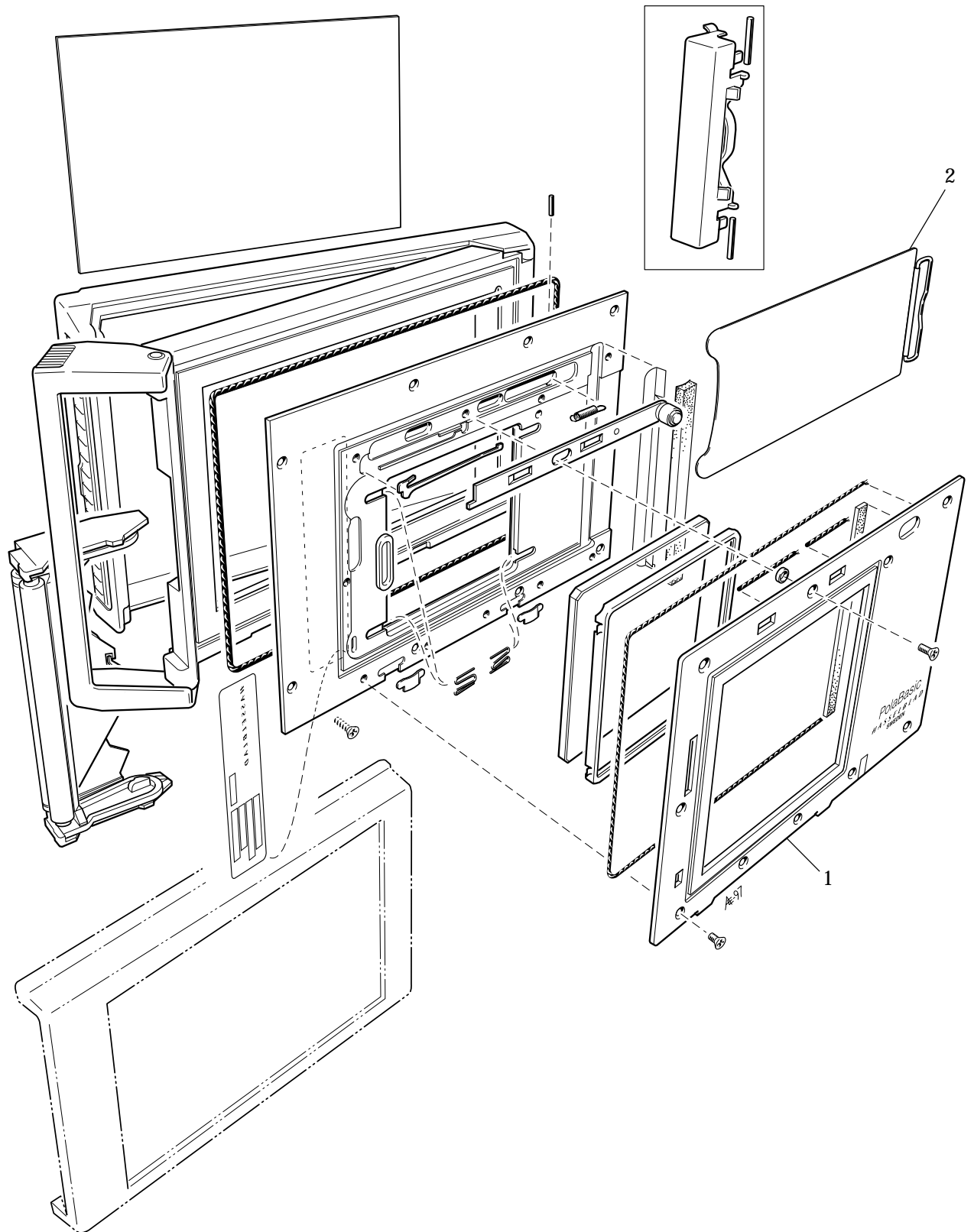
| Pos No. | Pcs | Spare Part No. | Description | Remark |
|----------------|------------|-----------------------|----------------------|-----------------------------------|
| 1 | 1 | 303 401 | Leather | |
| 2 | 1 | 302 408 | Name plate | |
| 3 | 1 | 303 323 | Chassie | |
| 4 | 1 | 303 403 | Clamp | |
| 5 | 1 | 302 426 | Name plate | |
| 6 | 1 | 302 427 | Developing mechanism | |
| 7 | | | Film pack | Type 107, 108, 665, 667, 668, 669 |
| 8 | 1 | 302 428 | Frame | |
| 9 | 1 | 302 404 | Glass plate | |
| 10 | 8 | 823 755 | Screw | |
| 11 | 1 | 302 405 | Light seal | |
| 12 | 1 | 303 402 | Locking spring | |
| 13 | 4 | 302 429 | Glass holder | |
| 14 | 2 | 13 821 | Plate spring | |
| 15 | 7 | 823 620 | Screw | |
| 16 | 1 | 302 322 | Outer plate | Please state serial No. |
| 17 | 3 | 823 640 | Screw | |
| 18 | 1 | 12 295 | Ribbon | |
| 19 | 1 | 302 415 | Light seal | |
| 20 | 1 | 302 417 | Light seal | |
| 21 | 1 | 810 528 | Washer | |
| 22 | 1 | 302 416 | Light seal | |
| 23 | 1 | 302 103 | Locking arm | |
| 24 | 1 | 14 195 | Light trap | |
| 25 | 1 | 302 406 | Foil | |
| 26 | 1 | 303 303 | Plate | |
| 27 | 1 | 814 704 | Spring | |
| 28 | 1 | 302 418 | Light seal | |
| 29 | 1 | Z 411 22 | Magazine slide | |
| 30 | 1 | 812 109 | Pin | |
| 31 | 1 | 302 101 | Slide holder | |
| 32 | 2 | 302 431 | Pin | |
| 33 | 1 | 302 432 | Film pack holder | |

Magazine PolaPlus



Magazine PolaPlus

| Pos No. | Pcs | Spare Part No. | Description | Remark |
|----------------|------------|-----------------------|----------------------|---|
| 1 | 1 | 303 404 | Leather | |
| 2 | 1 | 303 323 | Chassie | |
| 3 | 1 | 303 403 | Clamp | |
| 4 | 1 | 302 426 | Name plate | |
| 5 | 1 | 302 427 | Developing mechanism | |
| 6 | | | Film pack | Type 107, 108, 665, 667, 668, 669 |
| 7 | 1 | 302 428 | Frame | |
| 8 | 1 | 302 404 | Glass plate | |
| 9 | 8 | 829 845 | Screw | |
| 10 | 1 | 302 405 | Light seal | |
| 11 | 1 | 303 402 | Locking spring | |
| 12 | 2 | 302 429 | Glass holder | |
| 13 | 4 | 13 821 | Plate spring | |
| 14 | 9 | 829 525 | Screw | |
| 15 | 1 | 302 322 | Outer plate | Please state serial No. and "to be used for PolaPlus" |
| 16 | 1 | 829 540 | Screw | |
| 17 | 1 | 12 295 | Ribbon | |
| 18 | 1 | 302 415 | Light seal | |
| 19 | 1 | 302 417 | Light seal | |
| 20 | 1 | 810 528 | Washer | |
| 21 | 1 | 302 416 | Light seal | |
| 22 | 1 | 302 103 | Locking arm | |
| 23 | 1 | 14 195 | Light trap | |
| 24 | 1 | 302 406 | Foil | |
| 25 | 1 | 303 303 | Plate | |
| 26 | 1 | 814 704 | Spring | |
| 27 | 1 | 809 120 | Steel ball | |
| 28 | 1 | 815 604 | Spring | |
| 29 | 1 | 302 418 | Light seal | |
| 30 | 1 | 812 109 | Pin | |
| 31 | 1 | Z 411 26 | Magazine slide | |
| 32 | 2 | 302 431 | Pin | |
| 33 | 1 | 302 432 | Film pack holder | |



H A S S E L B L A D

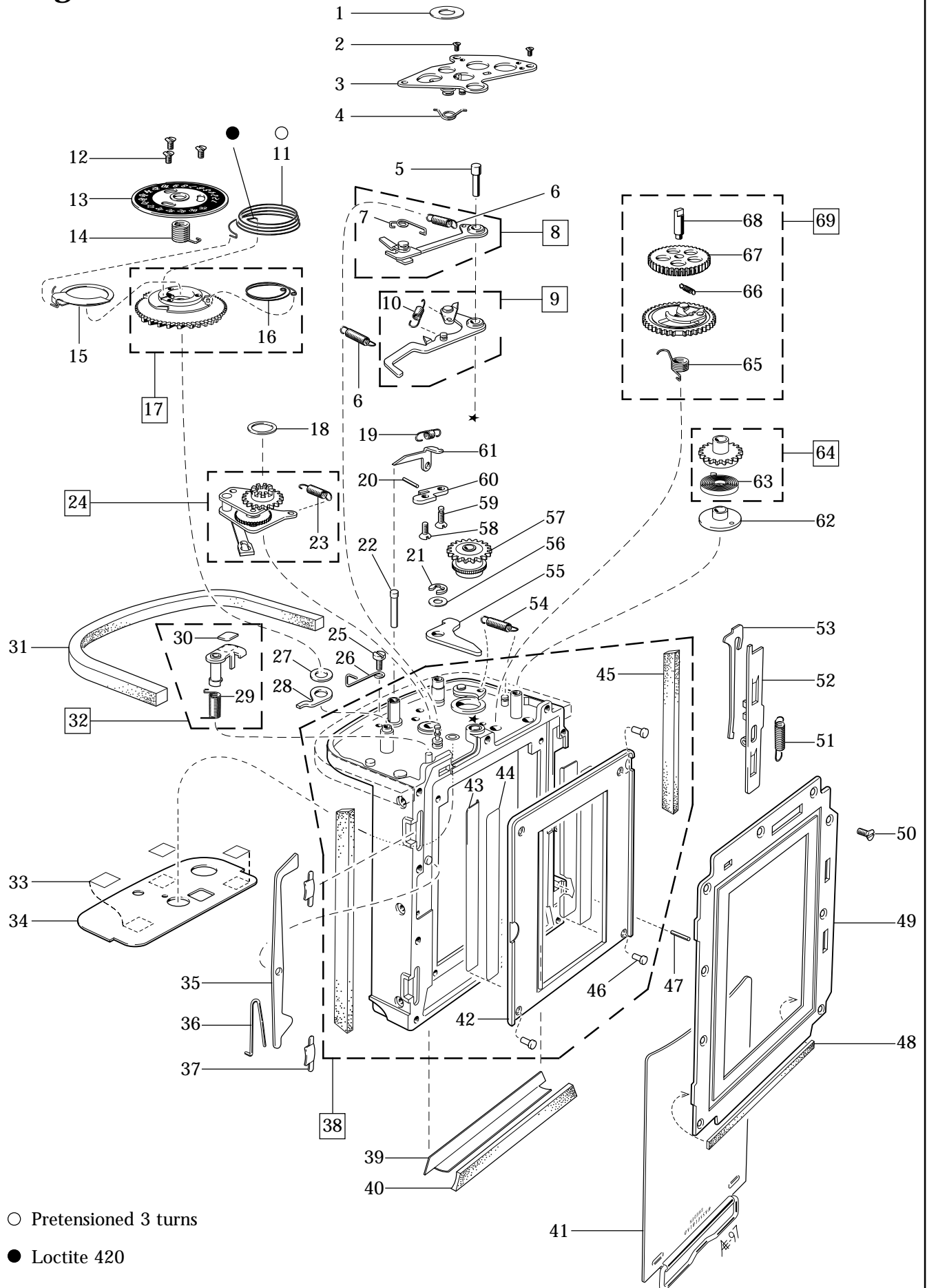
Magazine PolaBasic

25

| Pos No. | Pcs | Spare Part No. | Description | Remark |
|---------|-----|----------------|----------------|--|
| 1 | 1 | 302 322 | Outer plate | Please state serial No. and "to be used for PolaBasic" Sales code 41122 |
| 2 | 1 | Z411 22 | Magazine slide | |

Spare parts not listed are the same as for magazine PolaPlus

Magazine A32



○ Pretensioned 3 turns
 ● Loctite 420

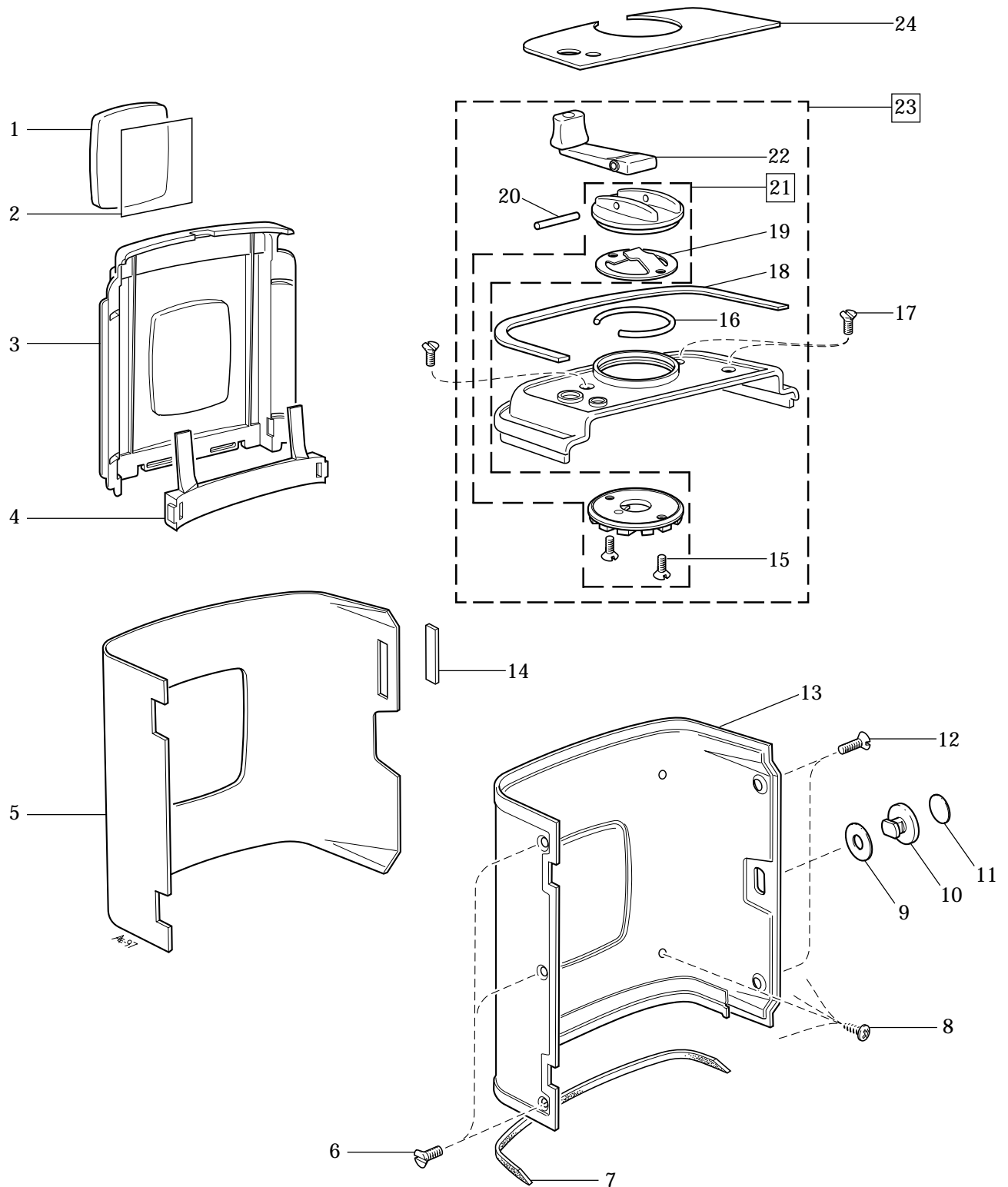
Magazine A32

| Pos No. | Pcs | Spare Part No. | Description | Remark |
|---------|-----|----------------|------------------|-------------------------|
| 1 | 1 | 810 927 | Washer | |
| 2 | 2 | 823 012 | Screw | |
| 3 | 1 | 308 485 | Plate | |
| 4 | 1 | 816 505 | Spring | |
| 5 | 1 | 12 819 | Shaft | |
| 6 | 2 | 814 527 | Spring | |
| 7 | 1 | 816 502 | Spring | |
| 8 | 1 | 607 318 | Arm | |
| 9 | 1 | 22 315 | Release arm | |
| 10 | 1 | 814 508 | Spring | |
| 11 | 1 | 607 094 | Spring | |
| 12 | 3 | 824 202 | Screw | |
| 13 | 1 | 607 320 | Dial | |
| 14 | 1 | 816 611 | Spring | |
| 15 | 1 | 607 089 | Shade | |
| 16 | 1 | 607 095 | Spring | |
| 17 | 1 | 607 316 | Spacing gear | |
| 18 | 1 | 810 926 | Washer | |
| 19 | 1 | 814 852 | Spring | |
| 20 | 1 | 812 005 | Pin | |
| 21 | 1 | 817 132 | Clip | |
| 22 | 1 | 13 754 | Pin | |
| 23 | 1 | 814 803 | Spring | |
| 24 | 1 | 607 313 | Center mechanism | |
| 25 | 1 | 820 012 | Screw | |
| 26 | 1 | 607 096 | Catch | |
| 27 | 1 | 810 778 | Washer | |
| 28 | 1 | 607 088 | Stop | |
| 29 | 1 | 816 509 | Spring | |
| 30 | 1 | 22 745 | Tape | |
| 31 | 1 | 22 716 | Light seal | |
| 32 | 1 | 607 314 | Signal | |
| 33 | 3 | 308 488 | Tape washer | |
| 34 | 1 | 22 747 | Cover plate | |
| 35 | 1 | 21 535 | Exposure lock | |
| 36 | 1 | 13 820 | Spring | |
| 37 | 2 | 13 821 | Plate spring | |
| 38 | 1 | 607 311 | Magazine support | |
| 39 | 1 | 13 508 | Foil | |
| 40 | 1 | 13 067 | Light trap | |
| 41 | 1 | Z410 68 | Magazine slide | |
| 42 | 1 | 22 712 | Picture frame | |
| 43 | 2 | 309 407 | Light seal | |
| 44 | 2 | 309 408 | Tape | |
| 45 | 2 | 14 309 | Light seal | |
| 46 | 4 | 833 105 | Rivet | |
| 47 | 1 | 812 107 | Pin | |
| 48 | 1 | 12 295 | Ribbon | |
| 49 | 1 | 40 380 | Outer plate | |
| 50 | 9 | 823 015 | Screw | Please state serial No. |
| 51 | 1 | 814 752 | Spring | |
| 52 | 1 | 20 843 | Locking arm | |
| 53 | 1 | 20 684 | Locking spring | |

Magazine A32

| Pos No. | Pcs | Spare Part No. | Description | Remark |
|---------|-----|----------------|----------------|--------|
| 54 | 1 | 814 307 | Spring | |
| 55 | 1 | 20 717 | Return stop | |
| 56 | 1 | 810 802 | Washer | |
| 57 | 1 | 12 209 | Gear | |
| 58 | 1 | 823 012 | Screw | |
| 59 | 1 | 824 060 | Screw | |
| 60 | 1 | 21 568 | Bracket | |
| 61 | 1 | 21 494 | Link | |
| 62 | 1 | 14 185 | Hub | |
| 63 | 1 | 14 184 | Spring | |
| 64 | 1 | 13 030 | Spring housing | |
| 65 | 1 | 816 707 | Spring | |
| 66 | 1 | 814 303 | Spring | |
| 67 | 1 | 12 215 | Gear | |
| 68 | 1 | 308 426 | Shaft | |
| 69 | 1 | 309 103 | Gear assembly | |

Magazine A32



Magazine A32

| Pos No. | Pcs | Spare Part No. | Description | Remark |
|---------|-----|----------------|-----------------------|--------|
| 1 | 1 | 308 328 | Film Indicator | |
| 2 | 1 | 308 507 | Tape | |
| 3 | 1 | 308 536 | Dark slide Holder | |
| 4 | 1 | 308 400 | Support | |
| 5 | 1 | 30 312 | Leather | |
| 6 | 3 | 823 013 | Screw | |
| 7 | 1 | 22 409 | Light seal | |
| 8 | 4 | 826 038 | Screw | |
| 9 | 1 | 810 761 | Teflon washer | |
| 10 | 1 | 22 356 | Button | |
| 11 | 1 | 22 404 | Leather | |
| 12 | 2 | 823 017 | Screw | |
| 13 | 1 | 308 023 | Shell | Chrome |
| | 1 | 308 024 | Shell | Black |
| 14 | 1 | 607 883 | Name plate | |
| 15 | 2 | 823 015 | Screw | |
| 16 | 1 | 13 827 | Tube | |
| 17 | 3 | 823 012 | Screw | |
| 18 | 1 | 12 290 | Leather | |
| 19 | 1 | 13 826 | Spring | |
| 20 | 1 | 812 207 | Pin | |
| 21 | 1 | 21 572-2 | Crank mounting | |
| 22 | 1 | 13 810-1 | Handle | |
| 23 | 1 | 607 305 | Cover right, complete | Chrome |
| | 1 | 607 304 | Cover right, complete | Black |
| 24 | 1 | 308 411 | Leather | |